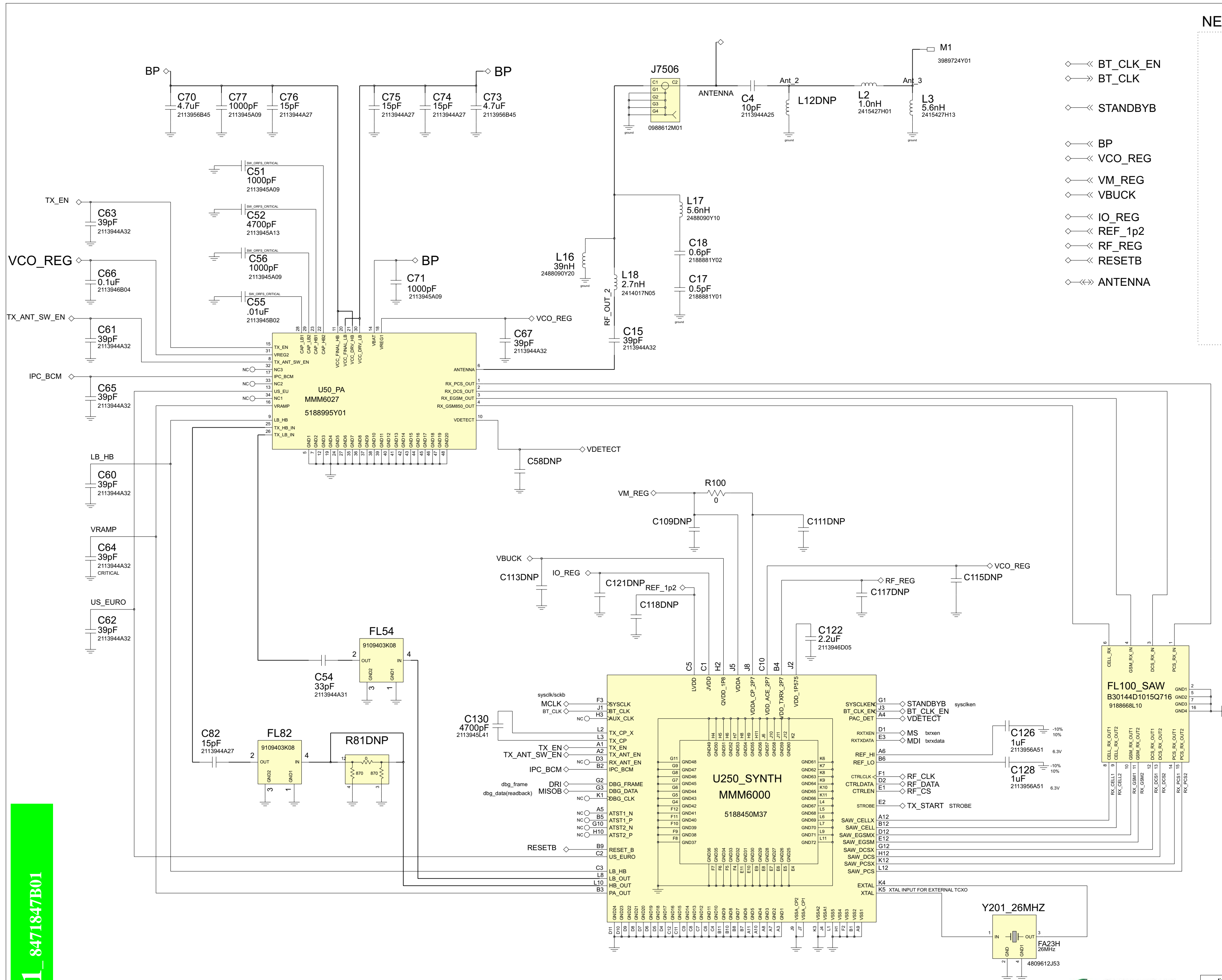
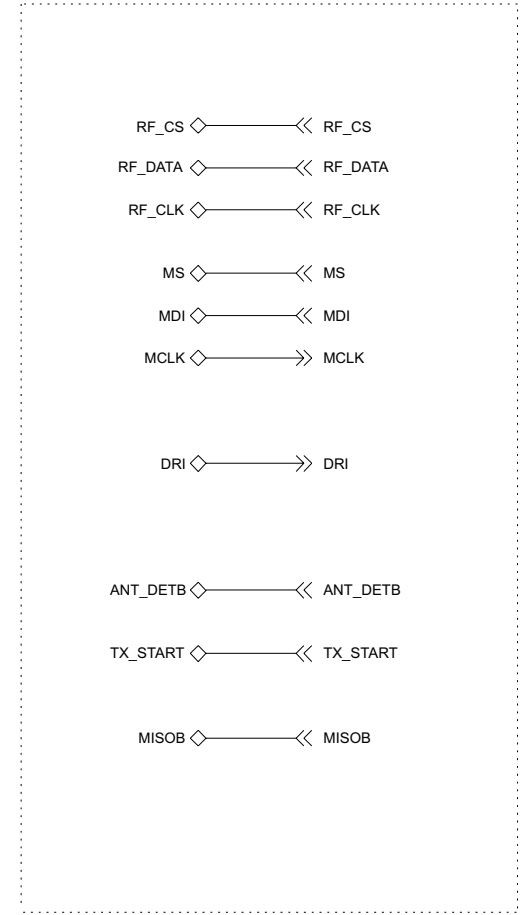
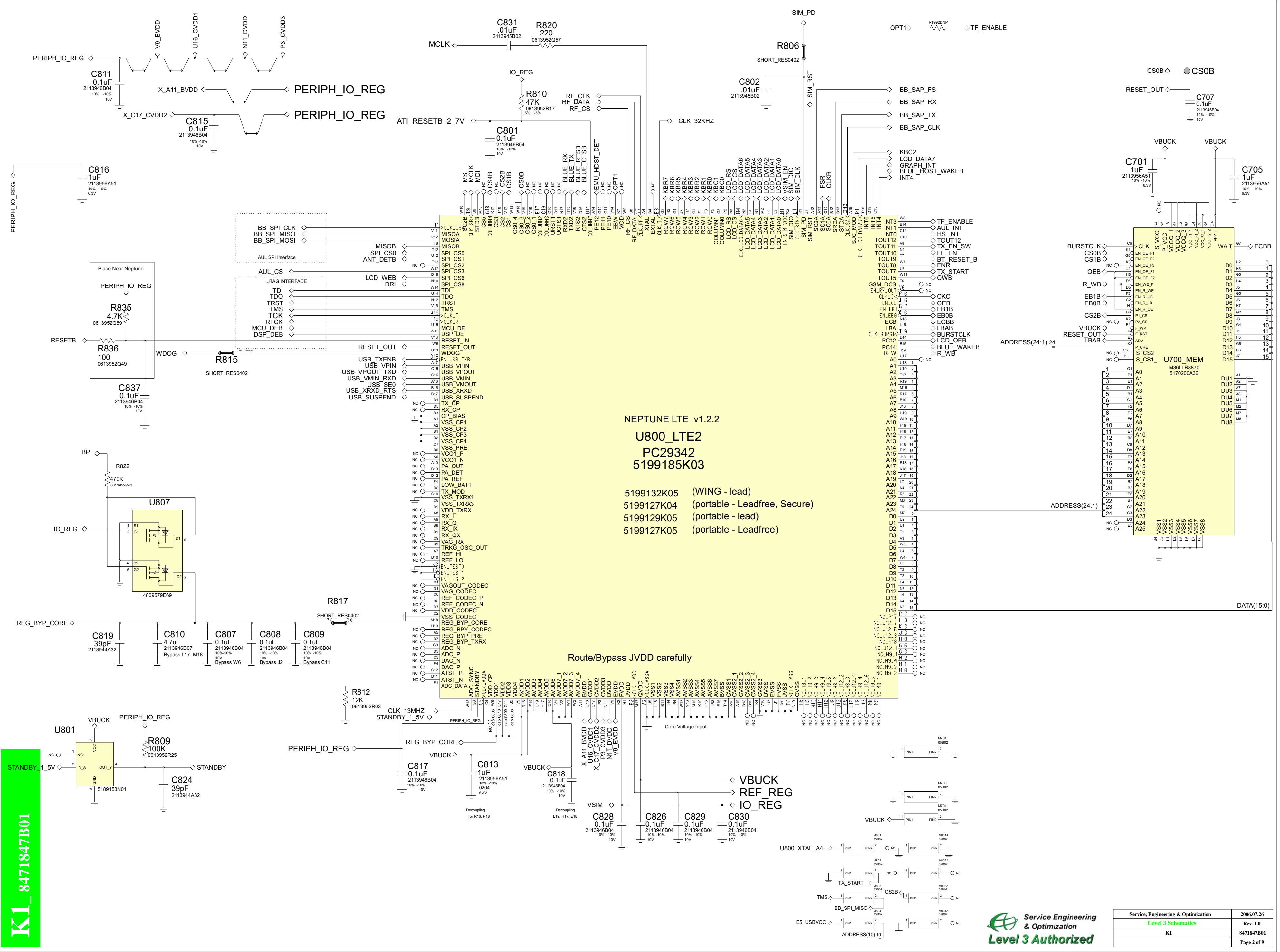


NEPTUNE INTERFACE



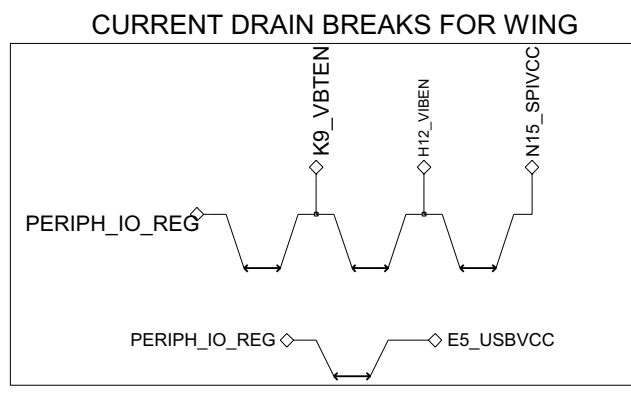
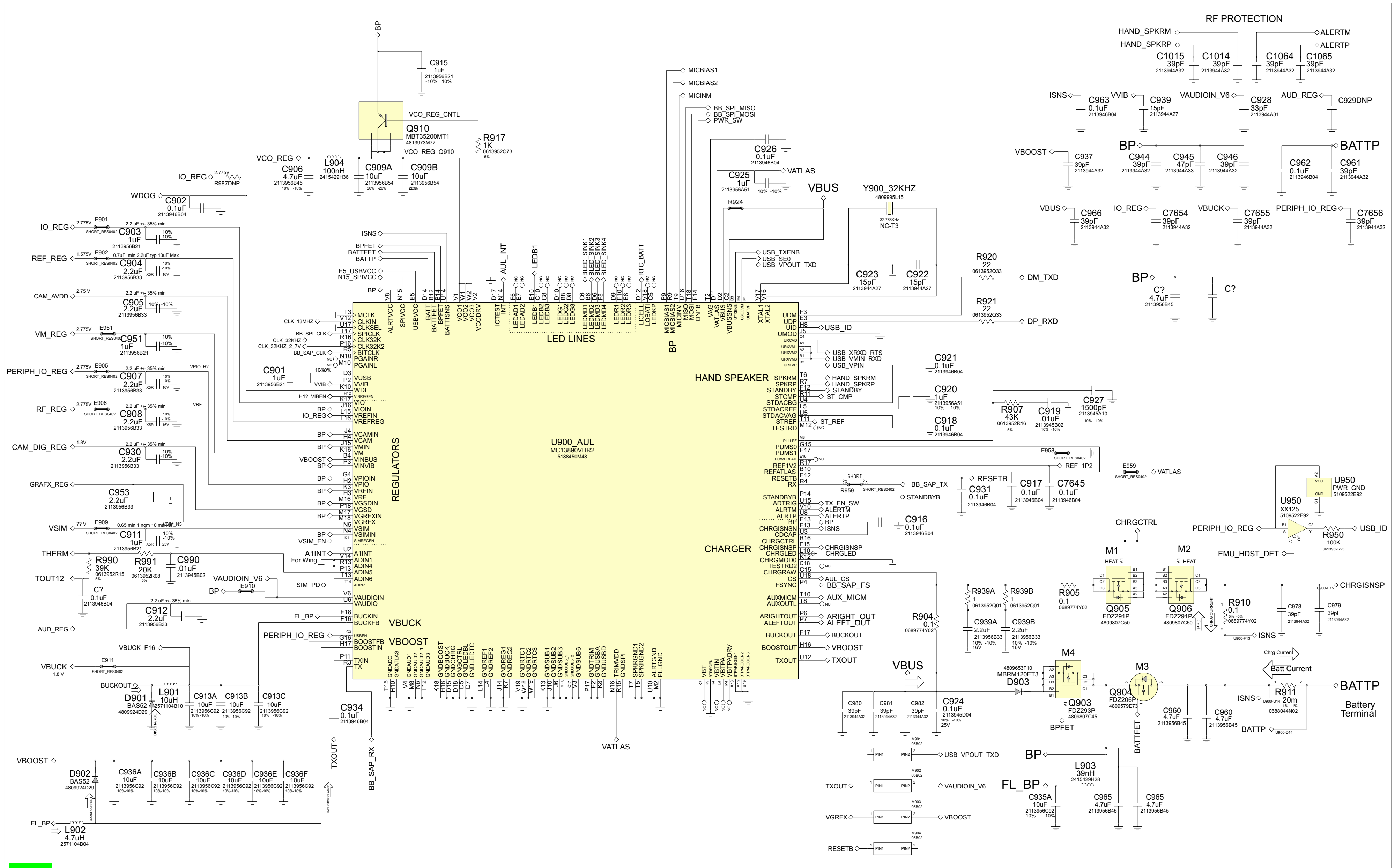
K1_8471847B01



K1_8471847B01

Service Engineering & Optimization
Level 3 Authorized

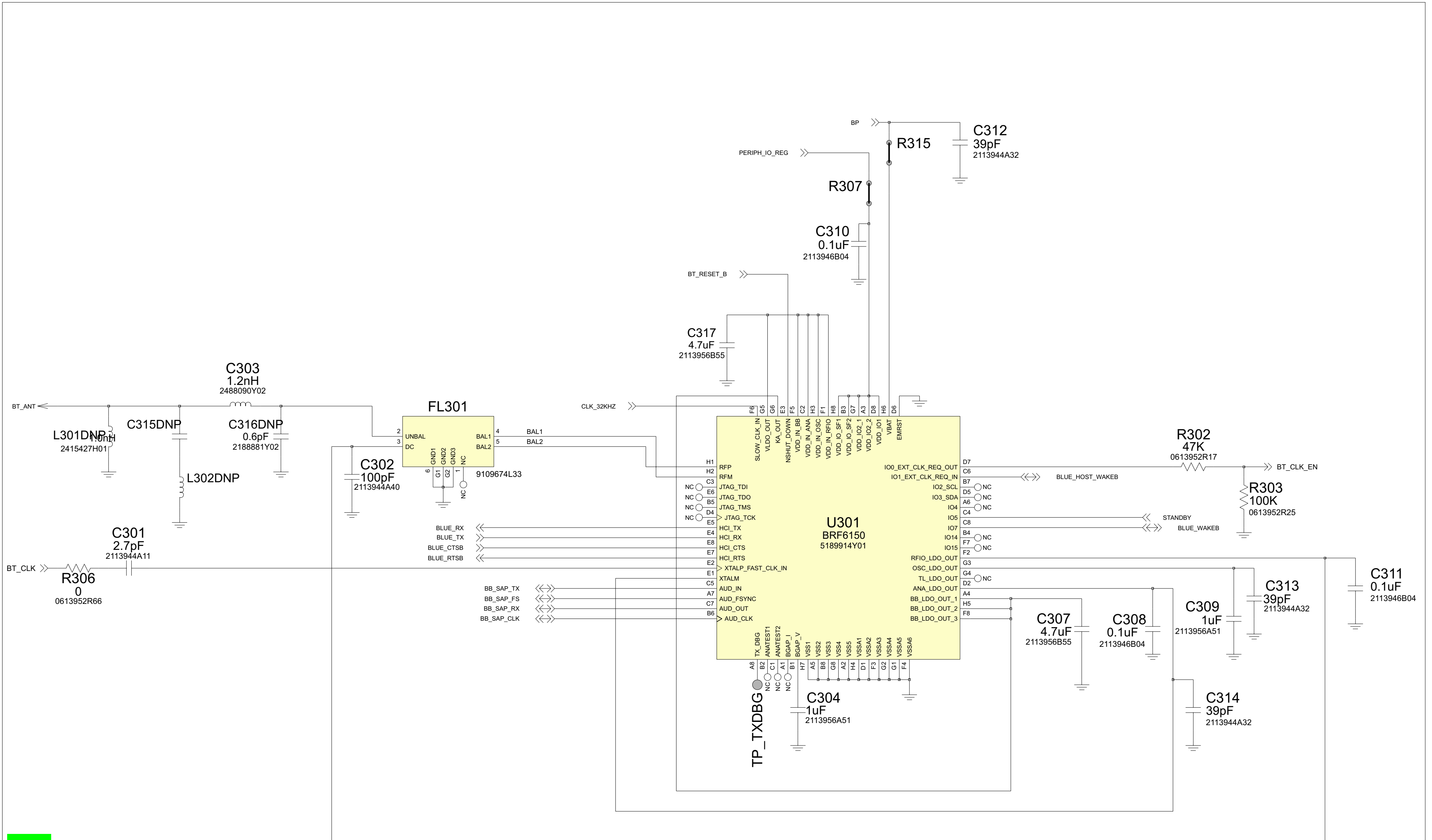
Service, Engineering & Optimization	2006.07.26
Level 3 Schematics	Rev. 1.0
K1	8471847B01
	Page 2 of 9



K1_8471847B01

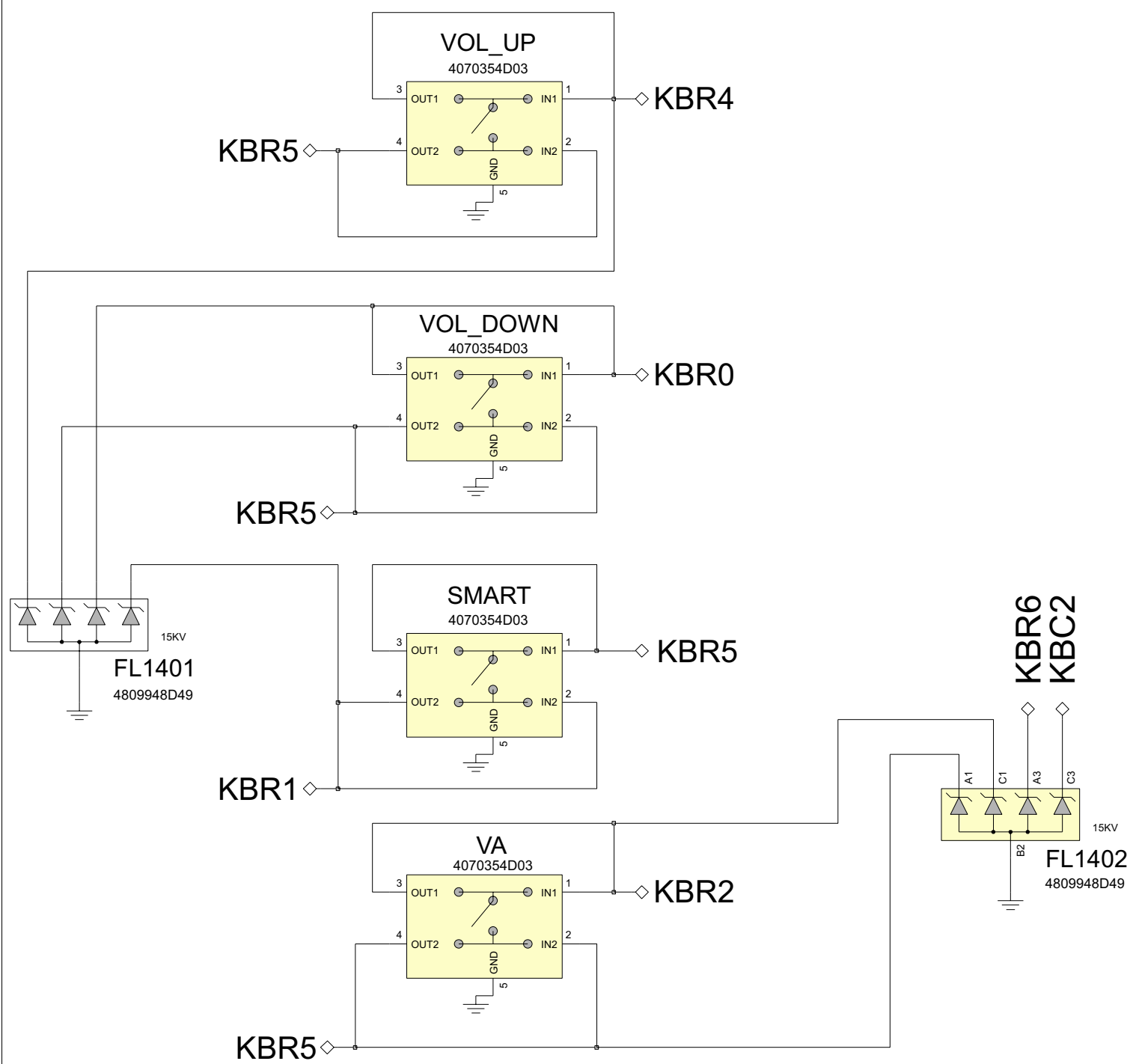
Service Engineering & Optimization
Level 3 Authorized

Service, Engineering & Optimization	2006.07.26
Level 3 Schematics	Rev. 1.0
K1	8471847B01
	Page 3 of 9

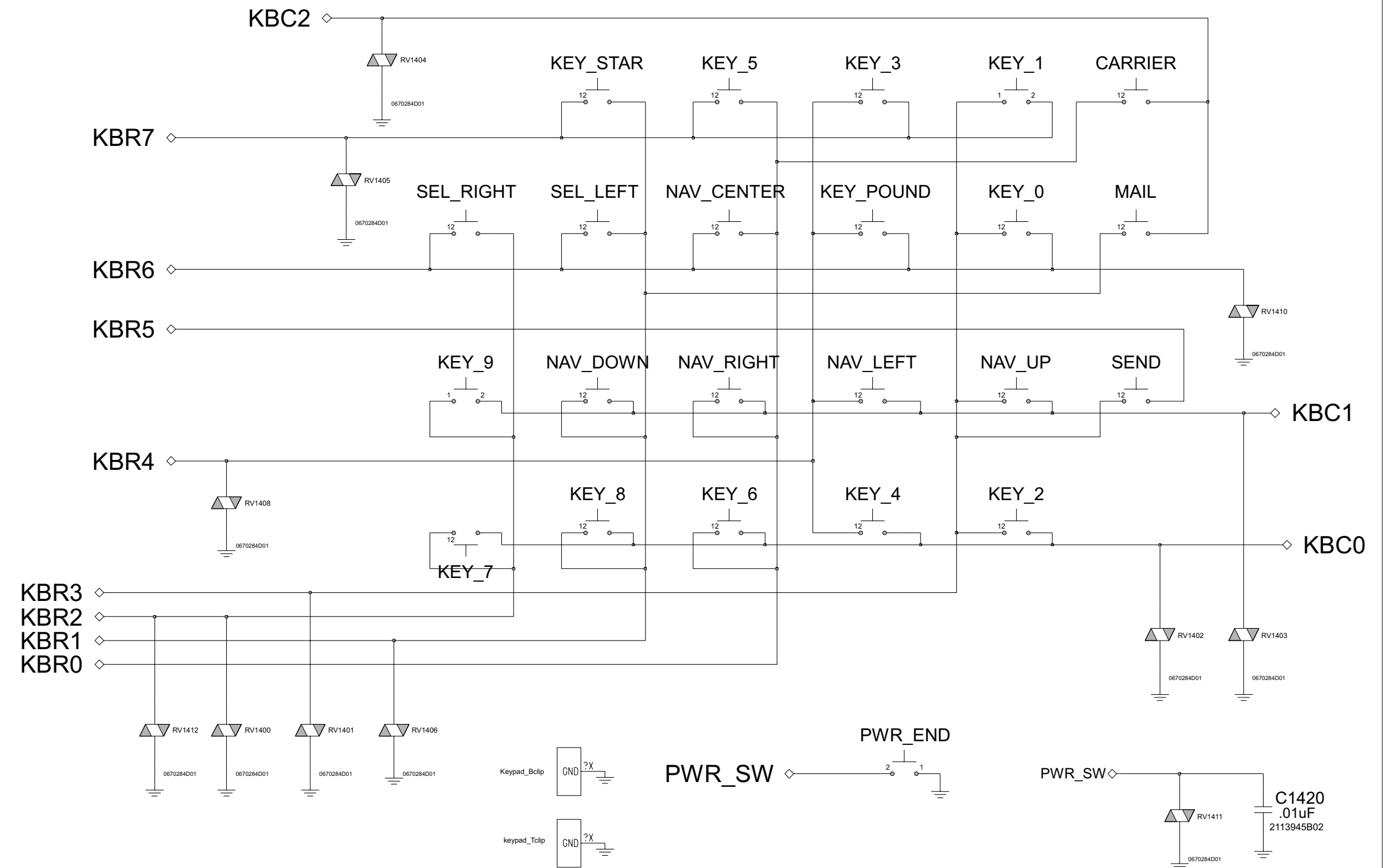


K1_8471847B01

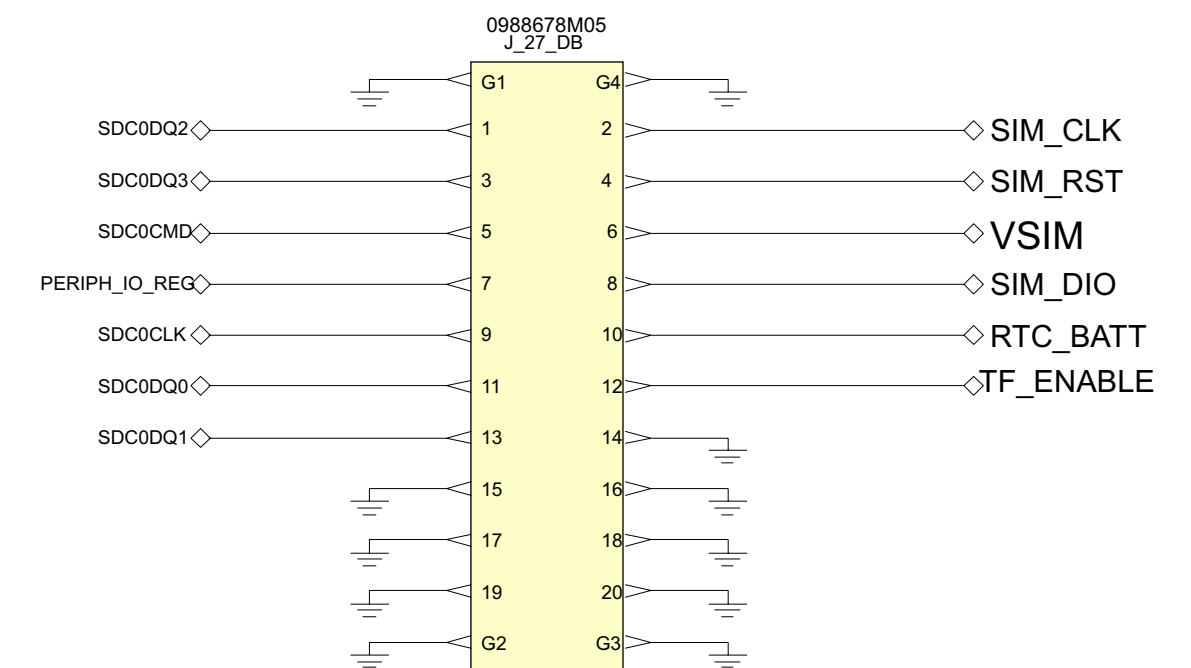
SIDEKEY SWITCHES



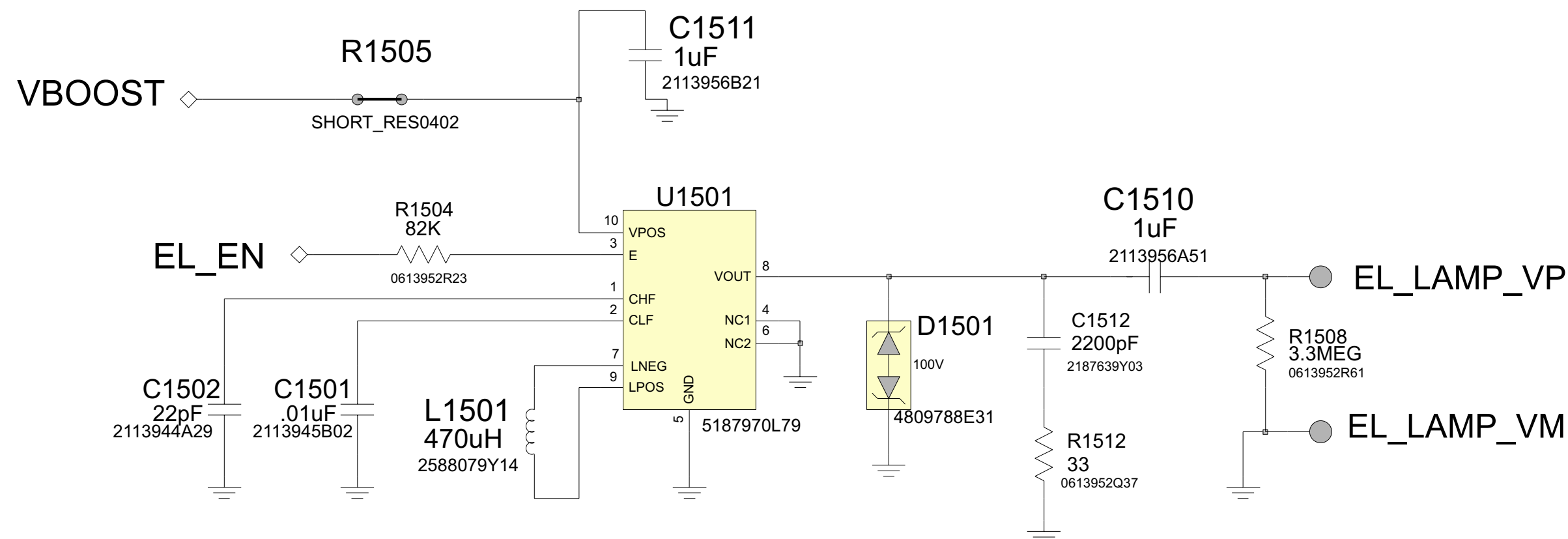
KEYPAD



DAUGHTER BRD CONNECTOR

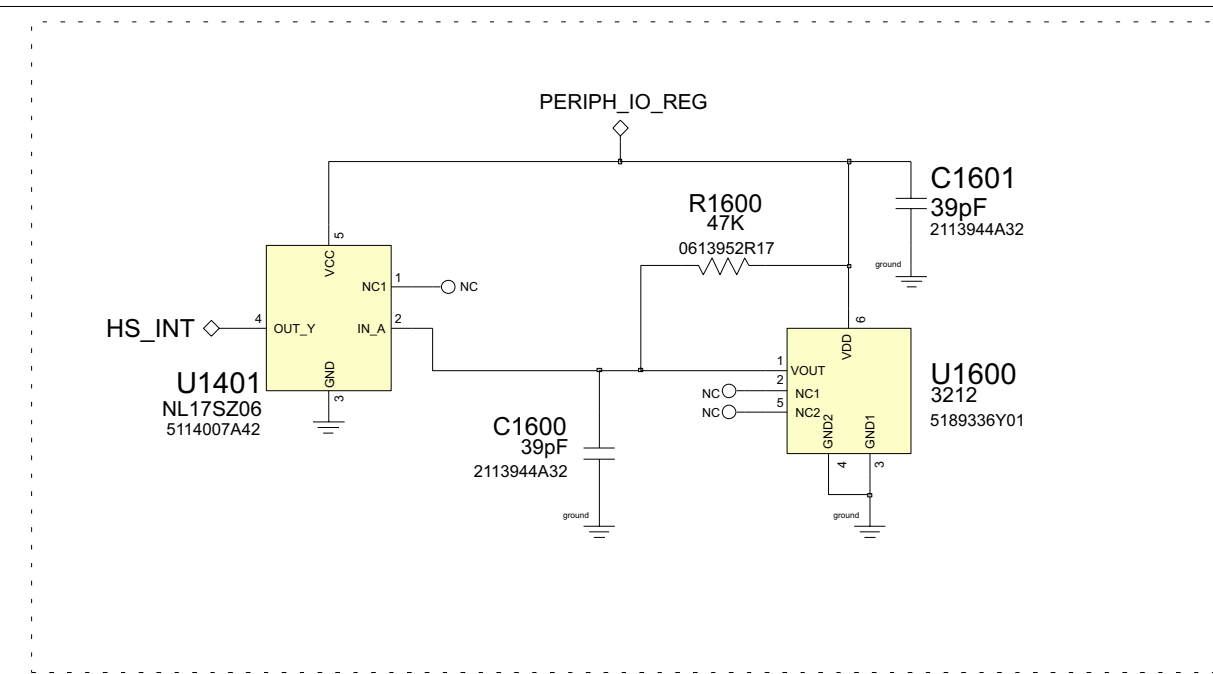
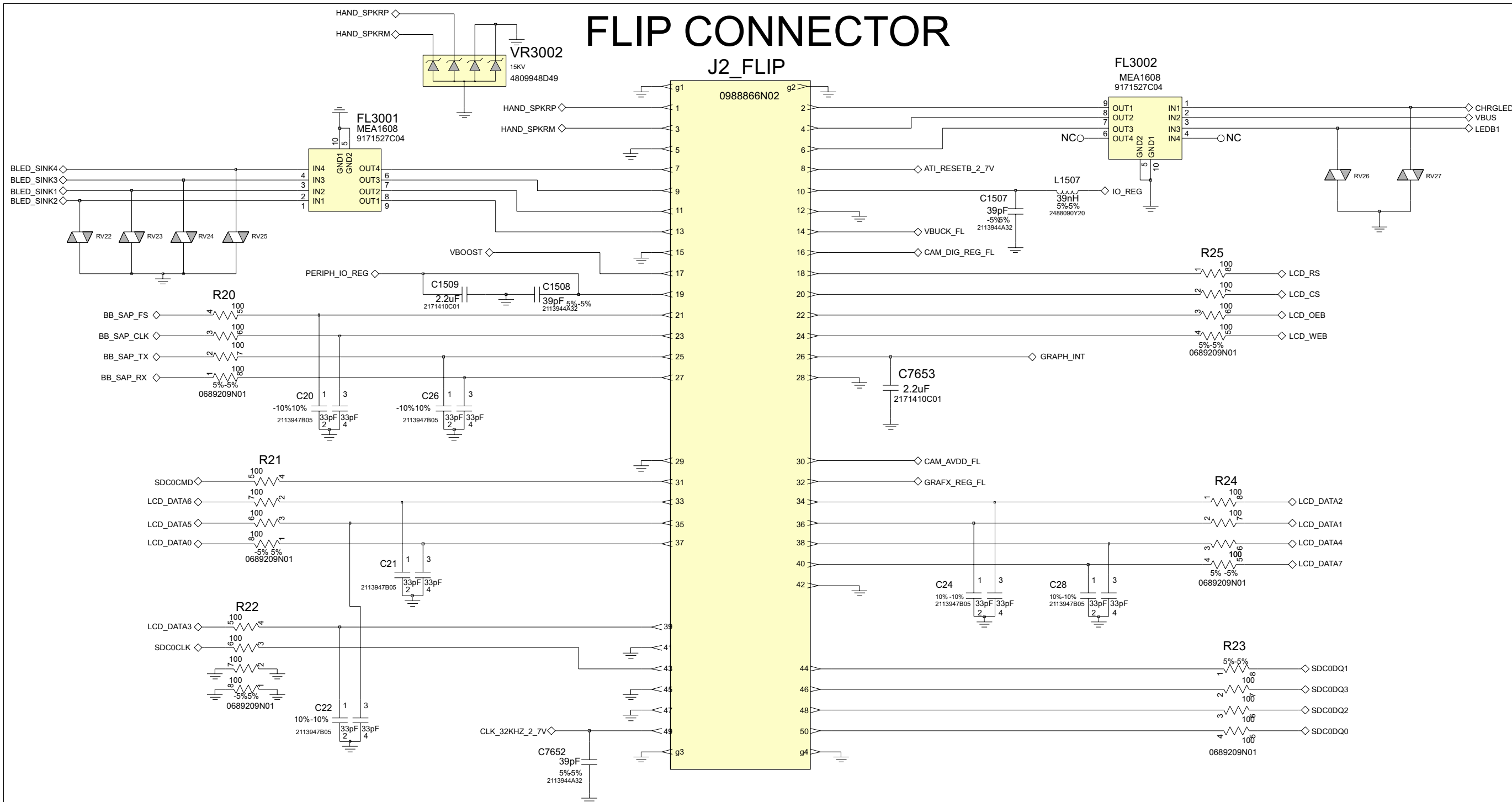


EL DRIVER

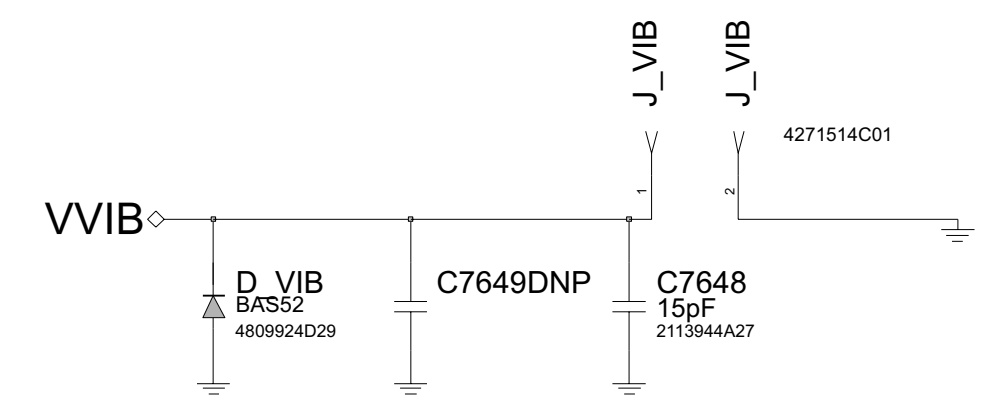


K1_8471847B01

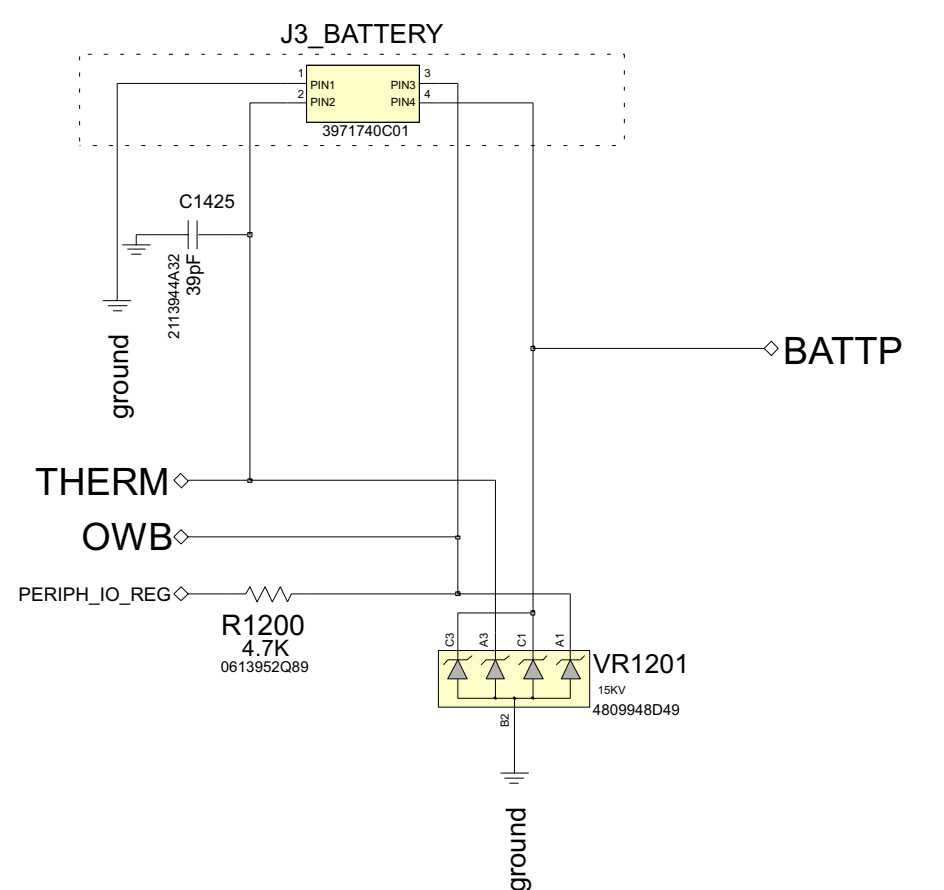
FLIP CONNECTOR



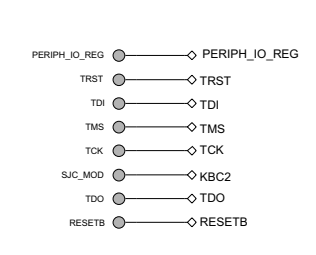
VIBRATOR



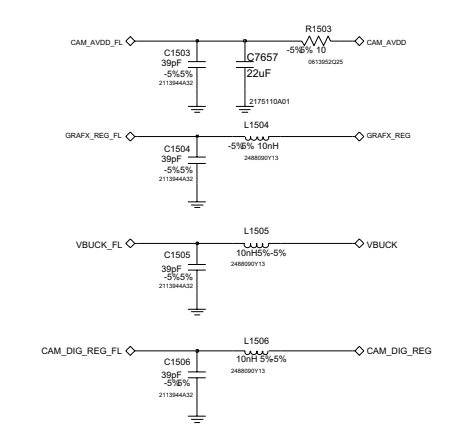
BATTERY



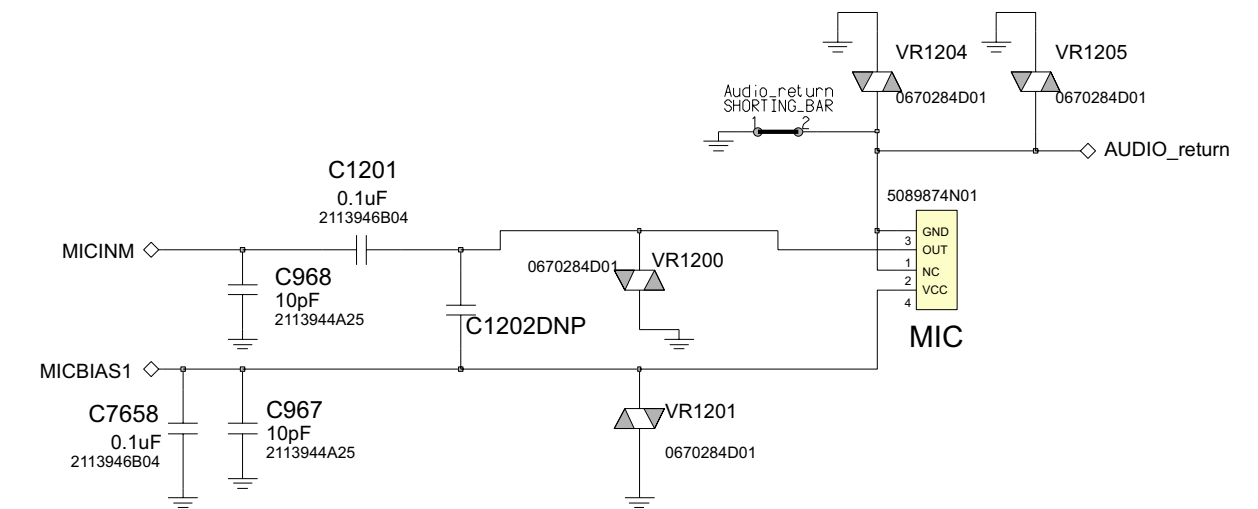
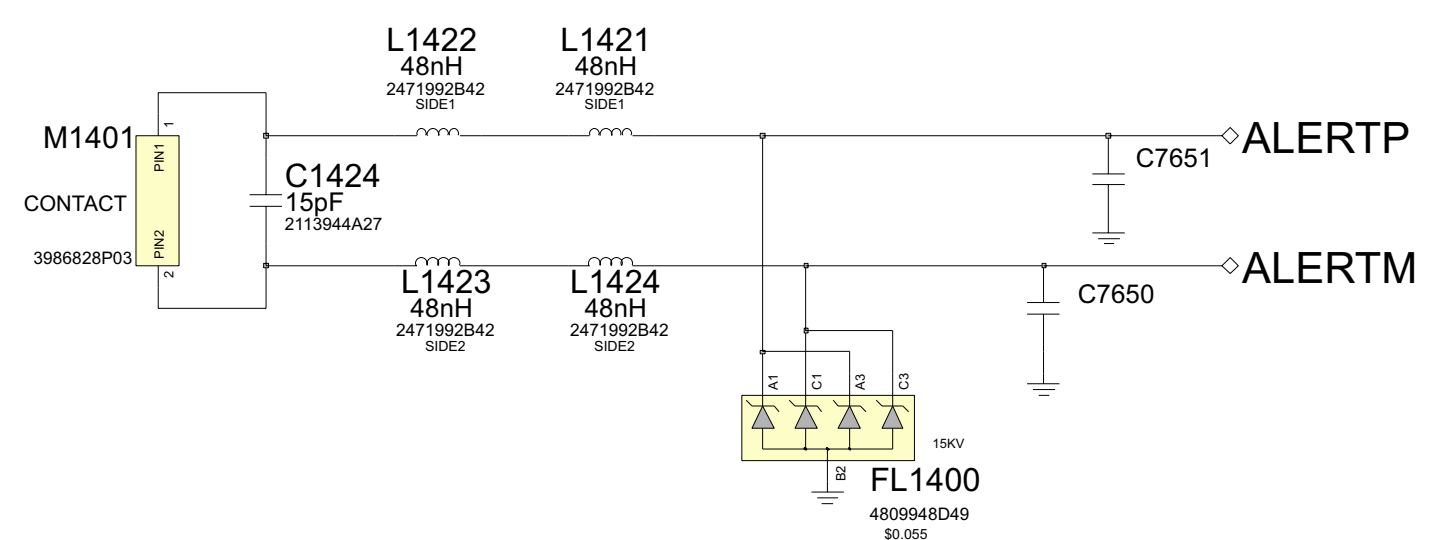
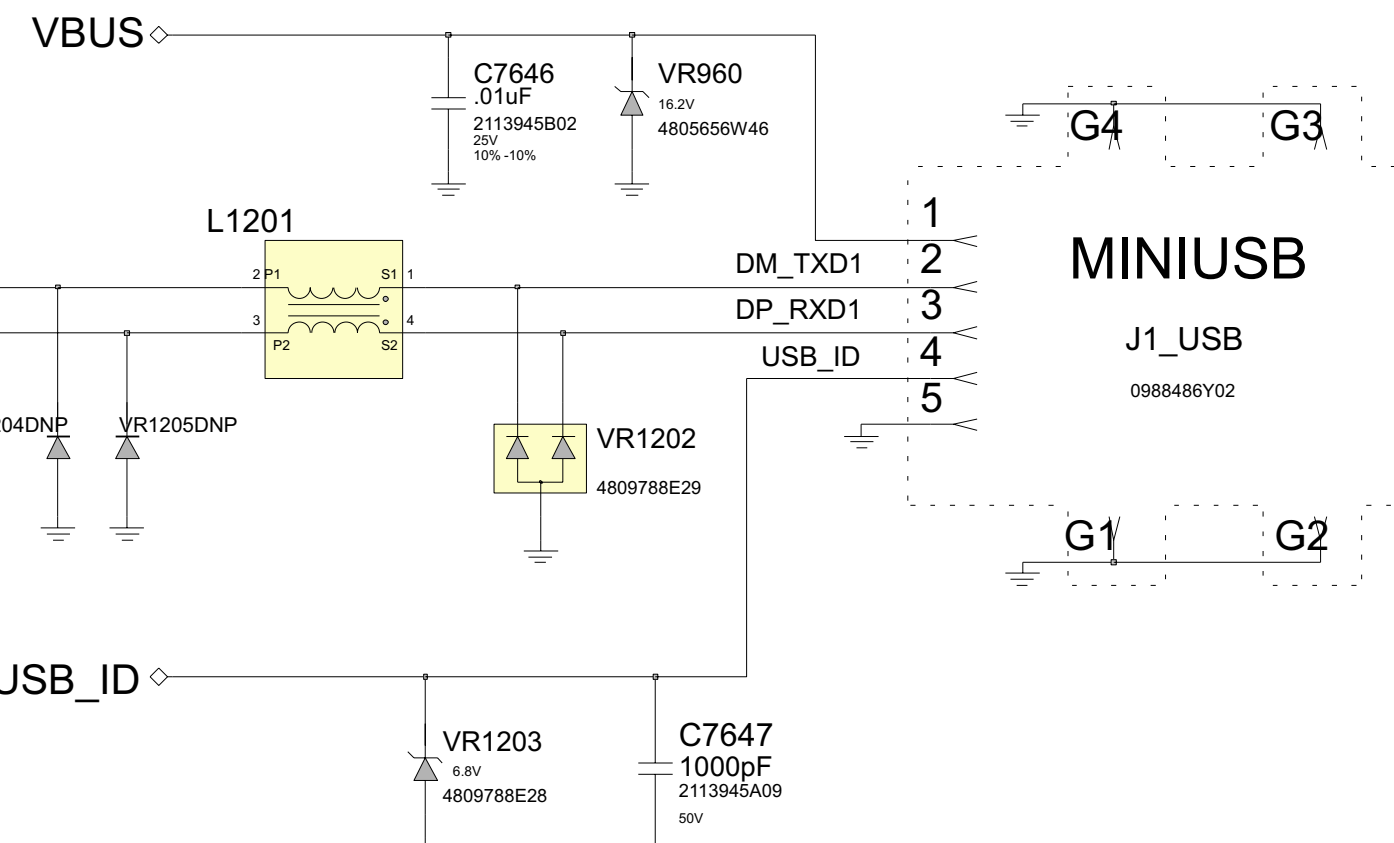
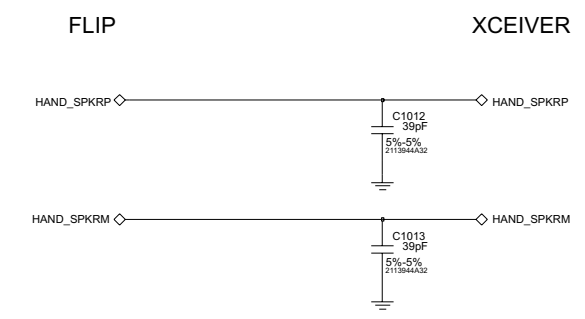
TESTPOINTS



SUPPLY AND LED FILTERS



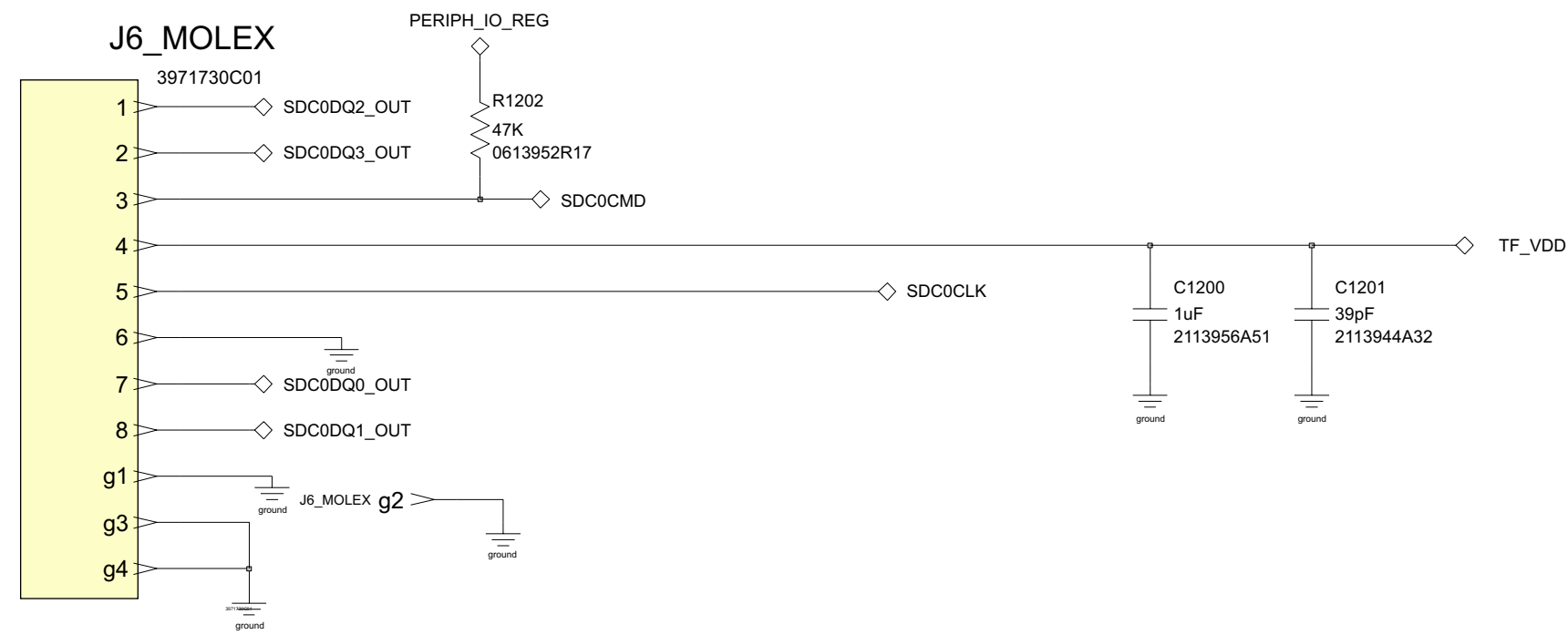
SPKR FILTERS



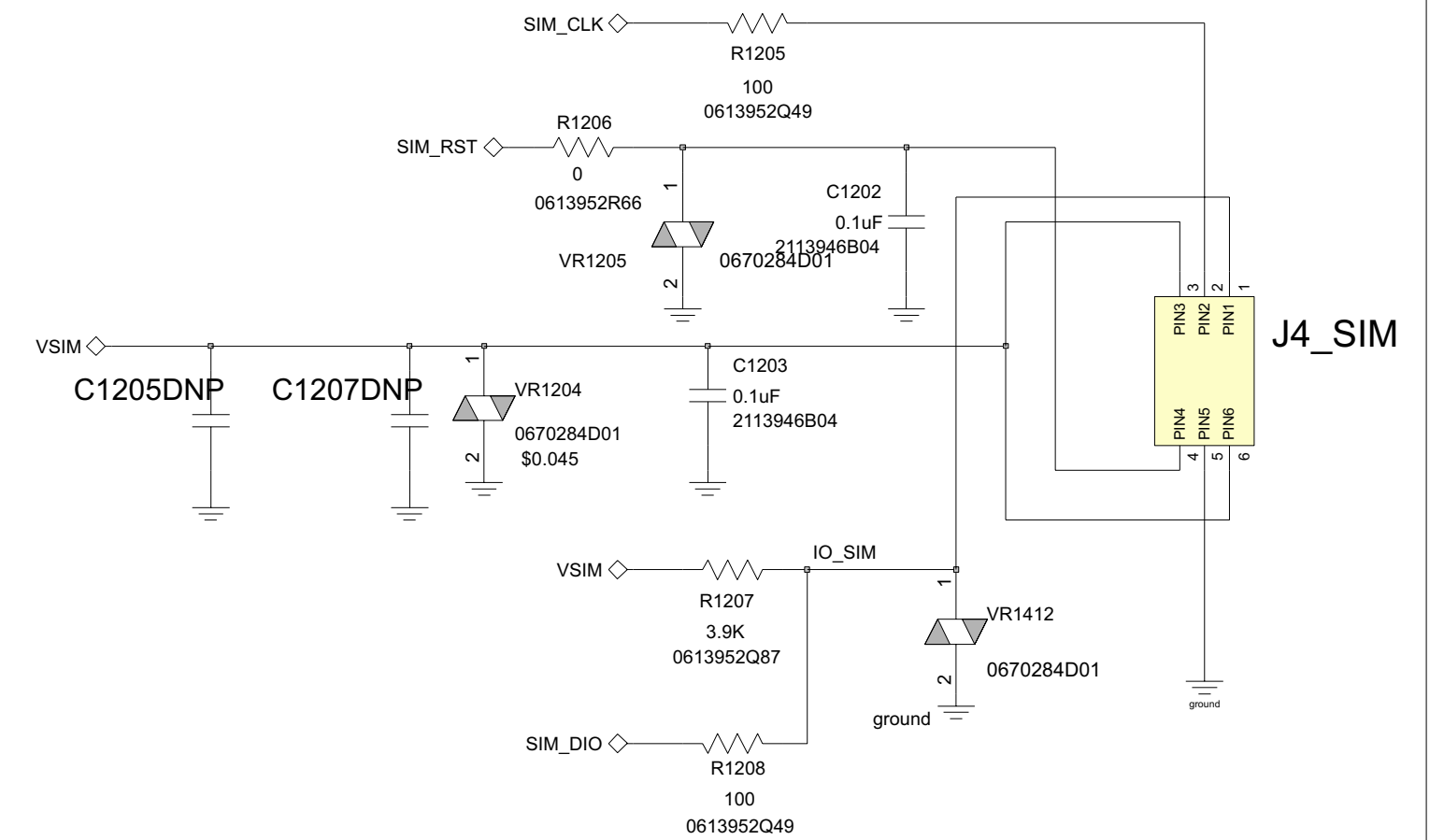
K1_8471847B01

DAUGHTER BOARD SCHEMATIC

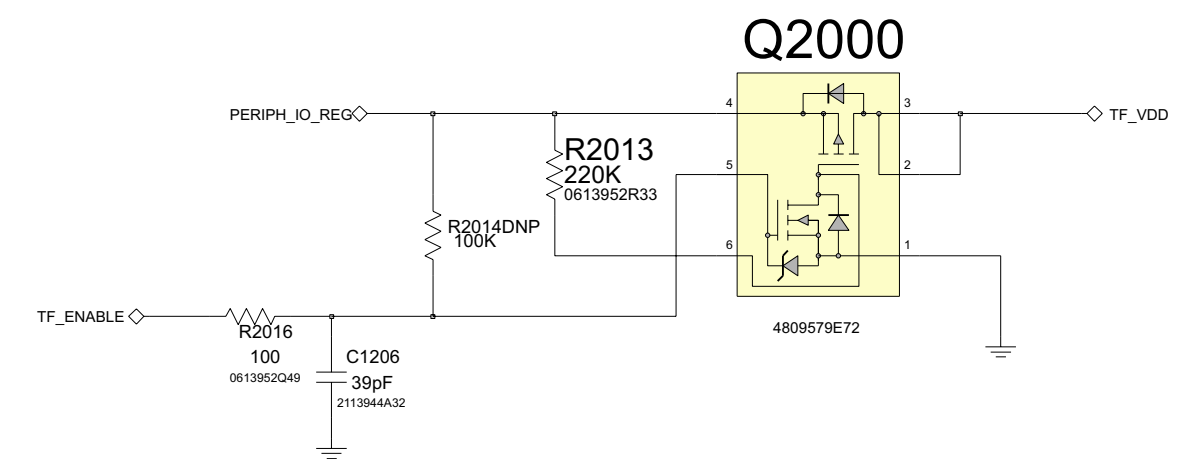
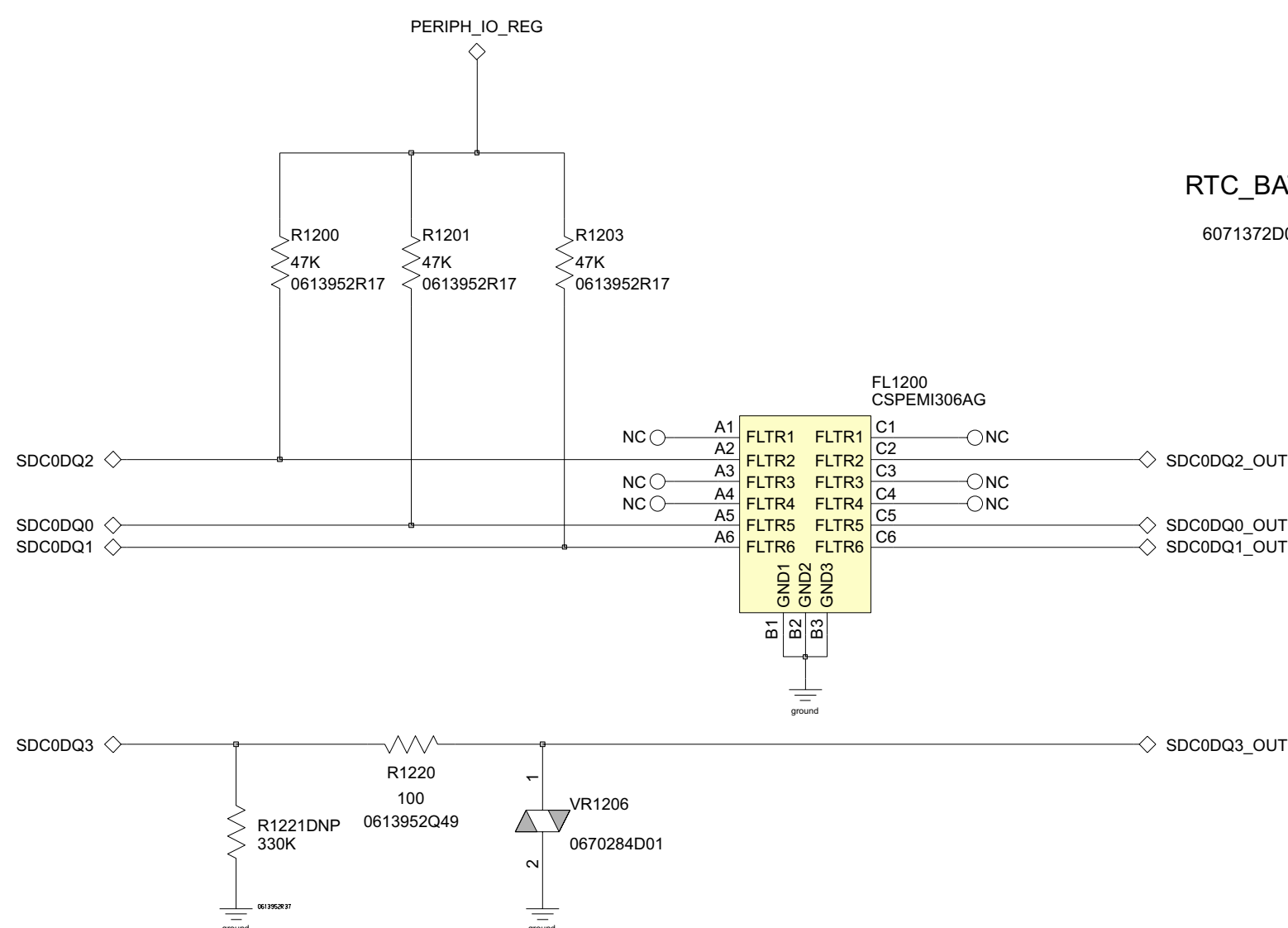
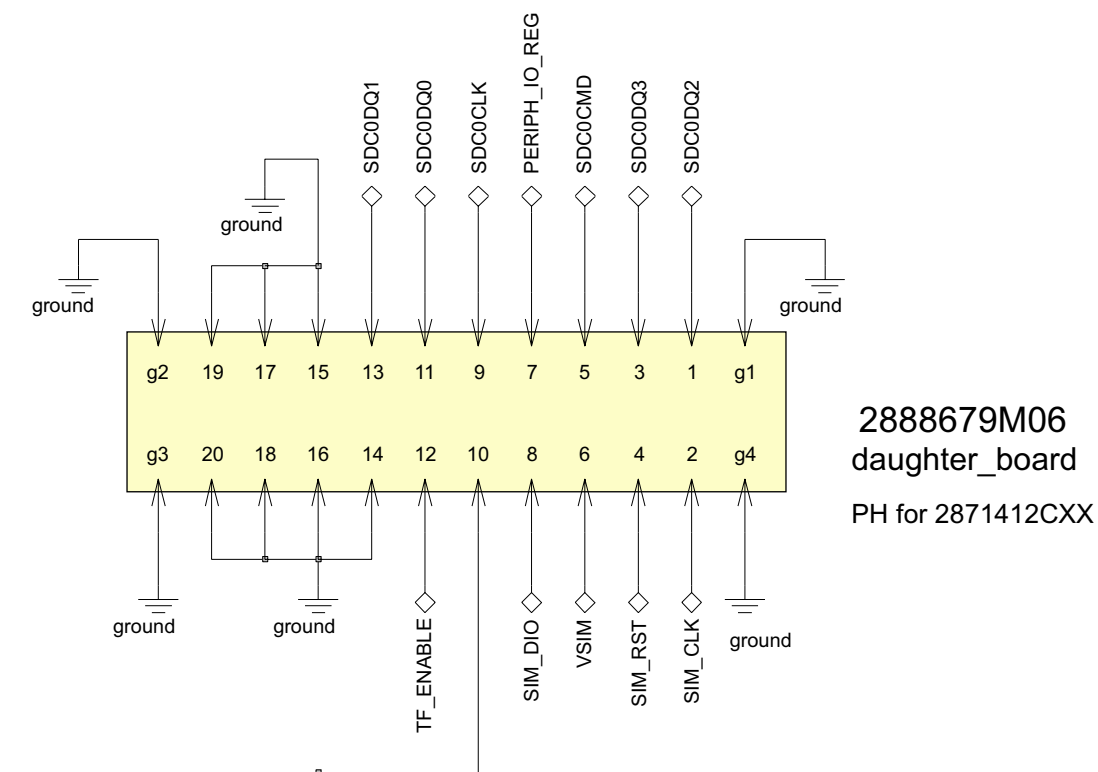
TRANSFLASH



SIM BLOCK

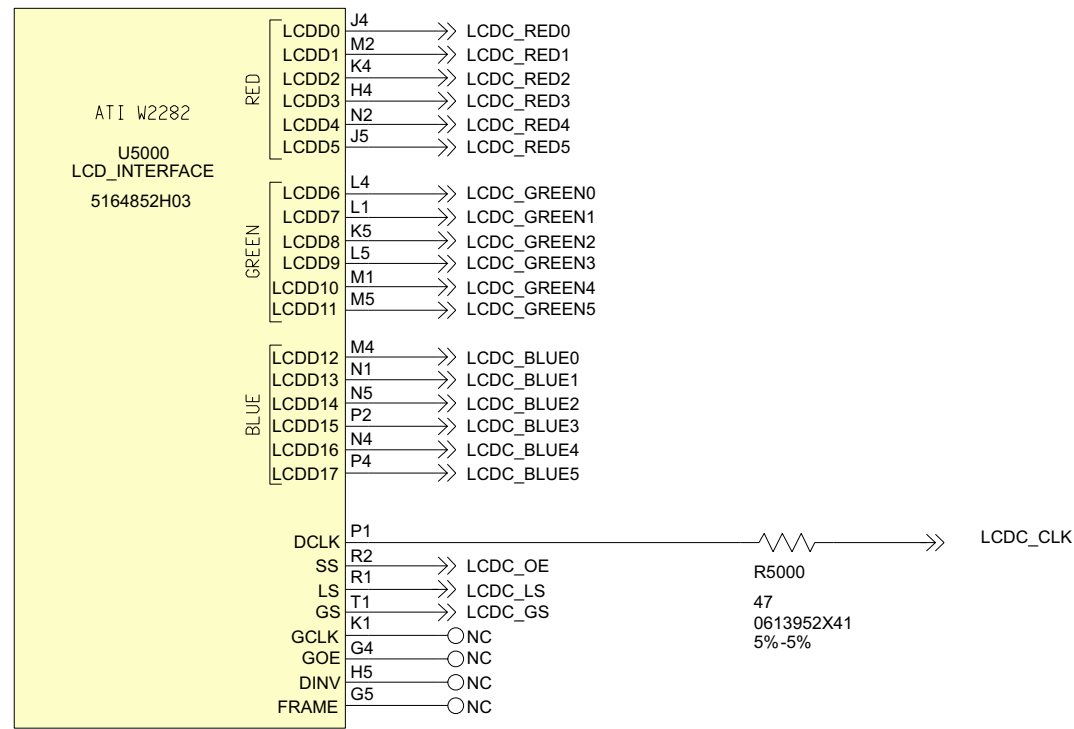


BOARD TO BOARD PLACEHOLDER

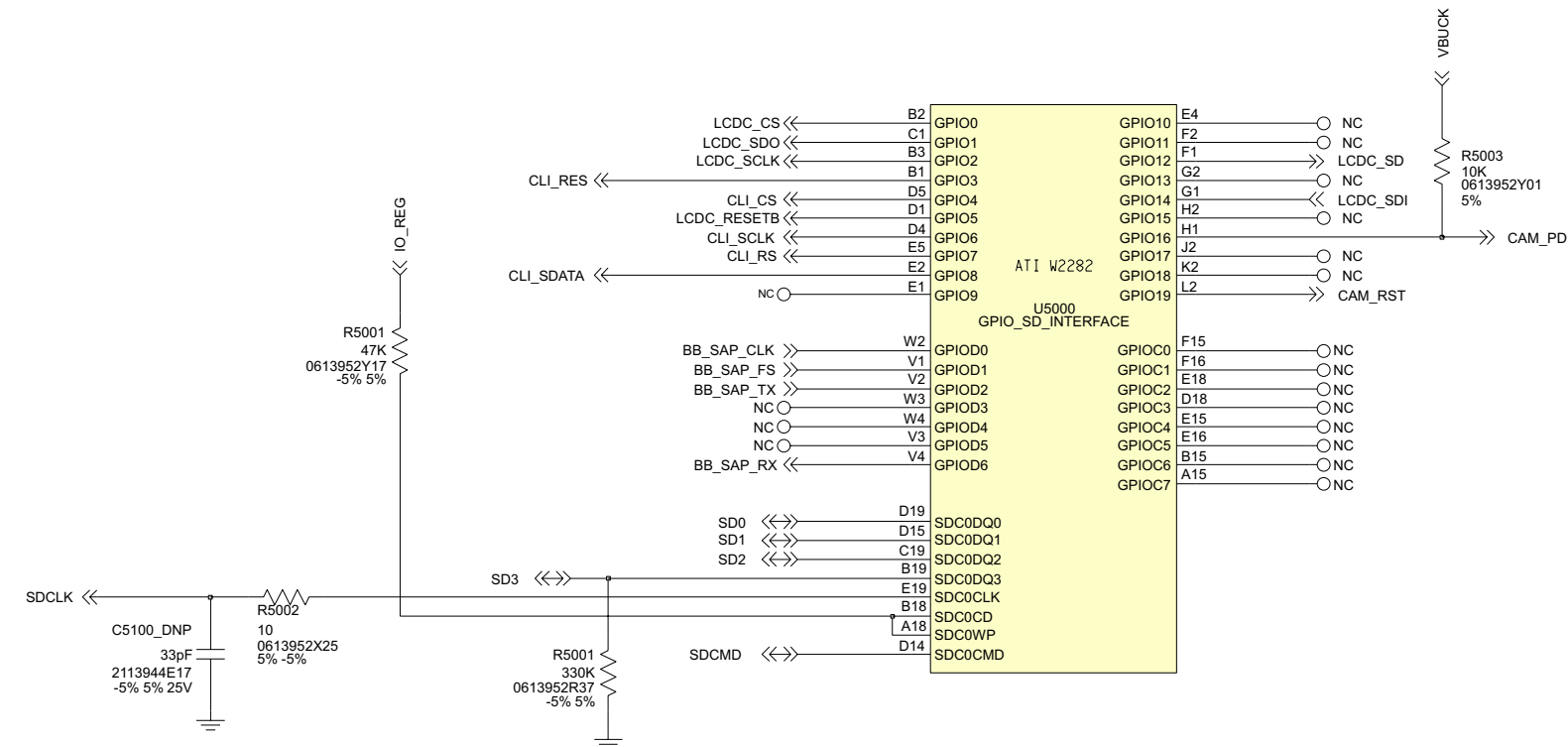


K1_8471946B01_O

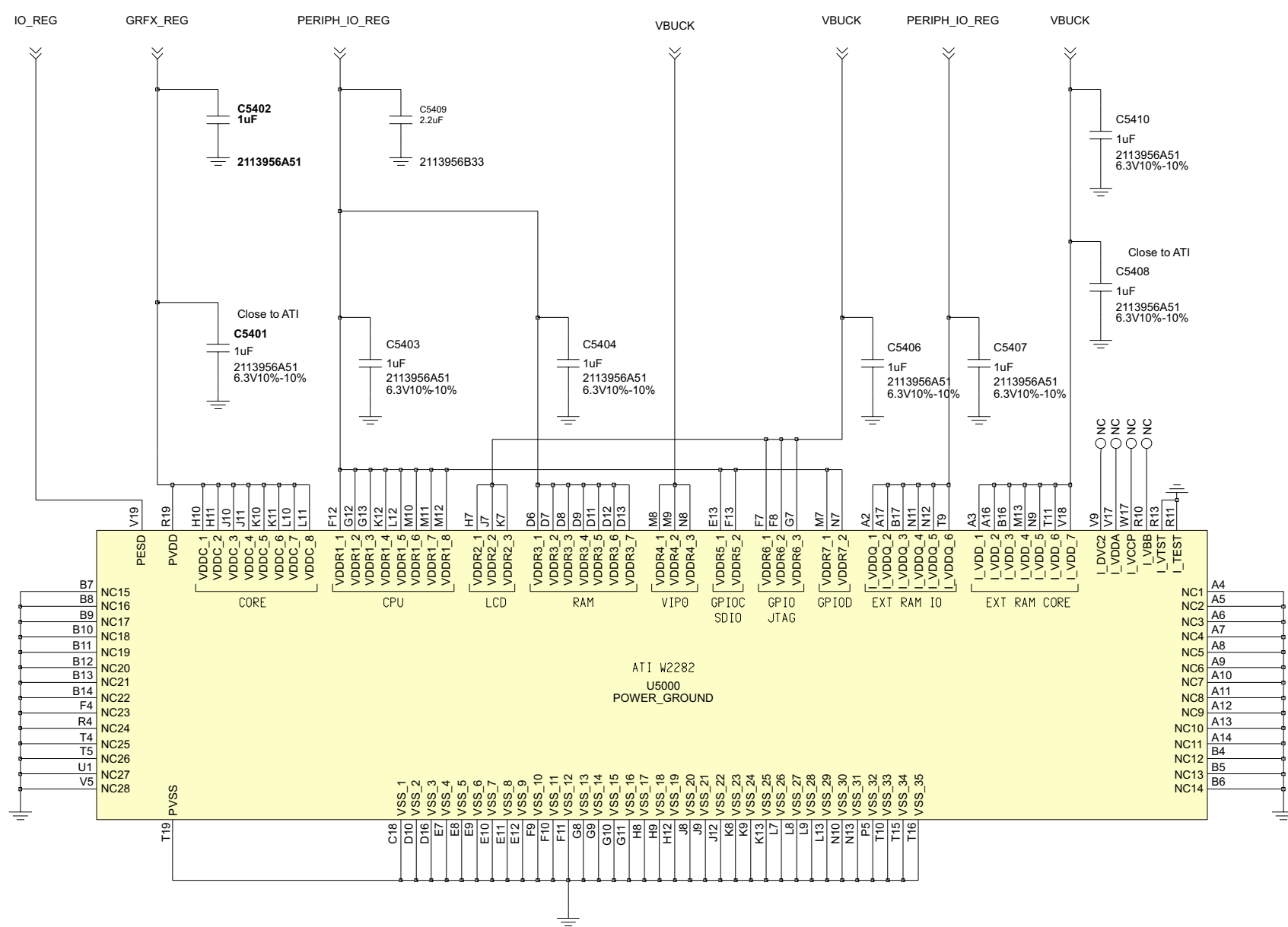
MAIN DISPLAY



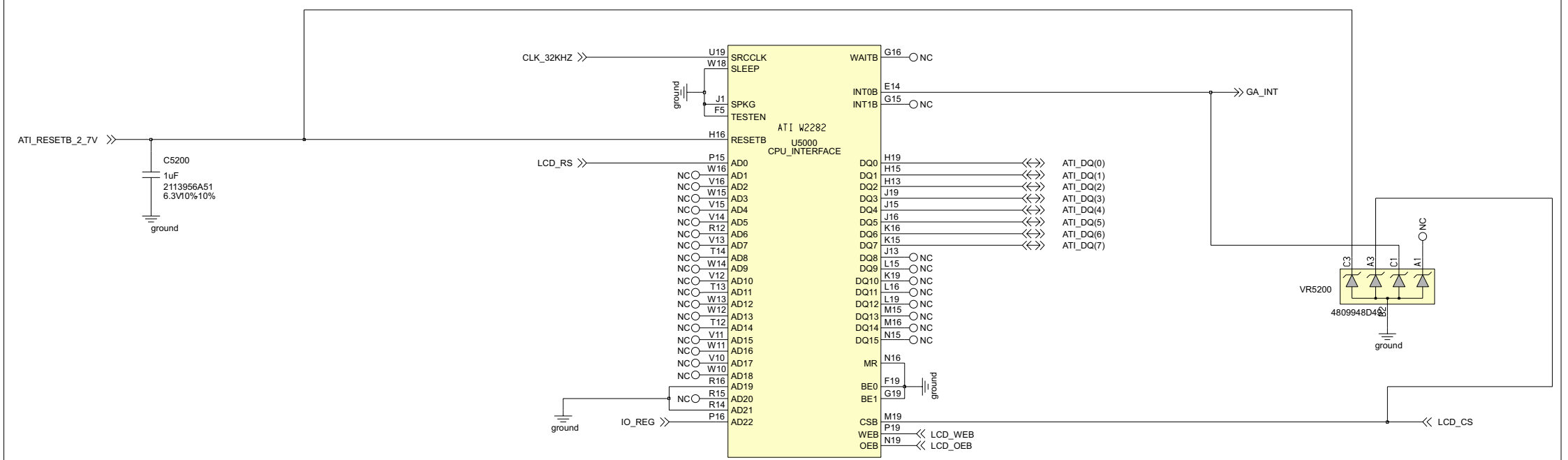
GPIOs AND SD INTERFACE



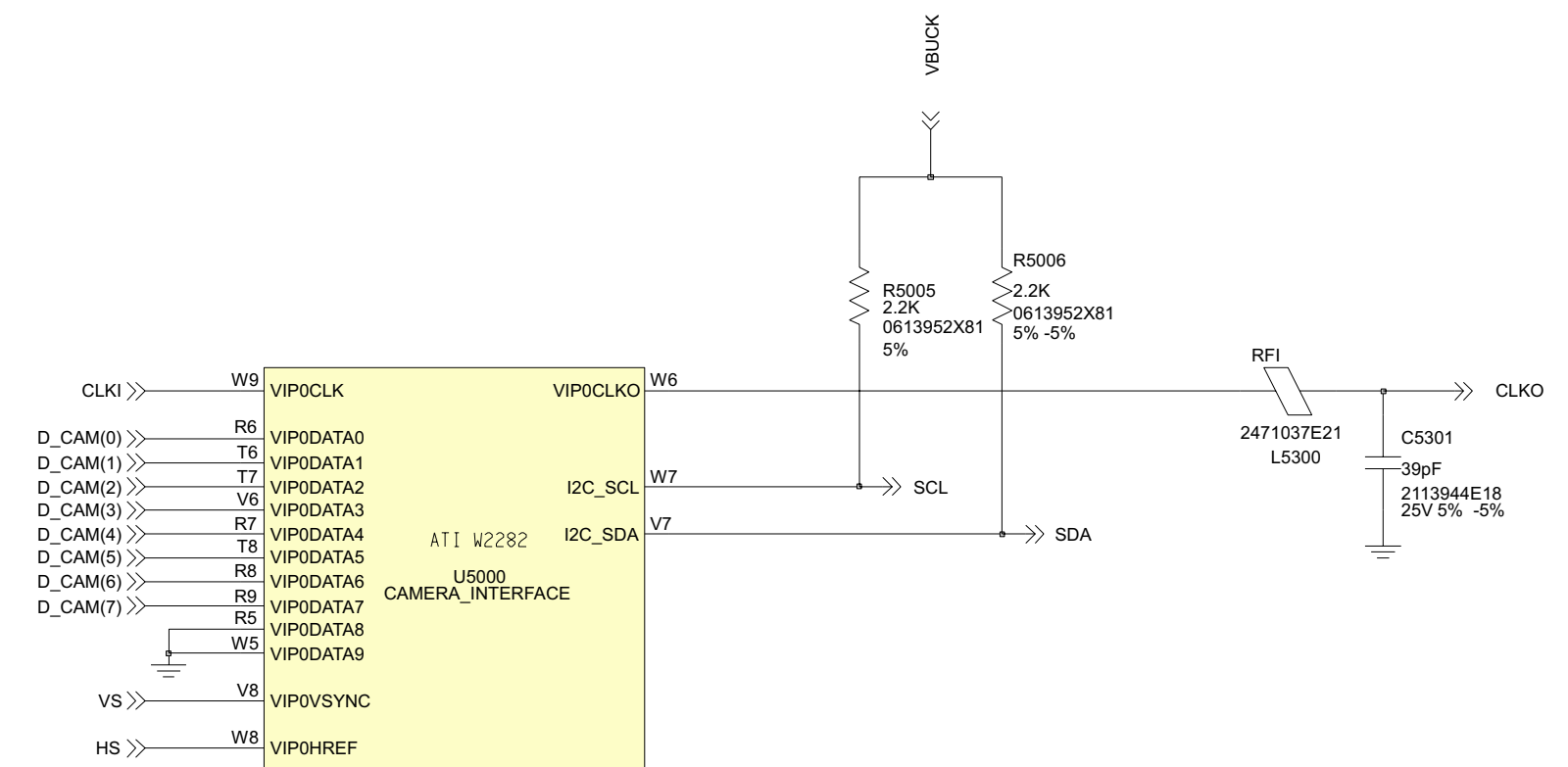
POWER SUPPLIES AND GROUNDS



CPU INTERFACE

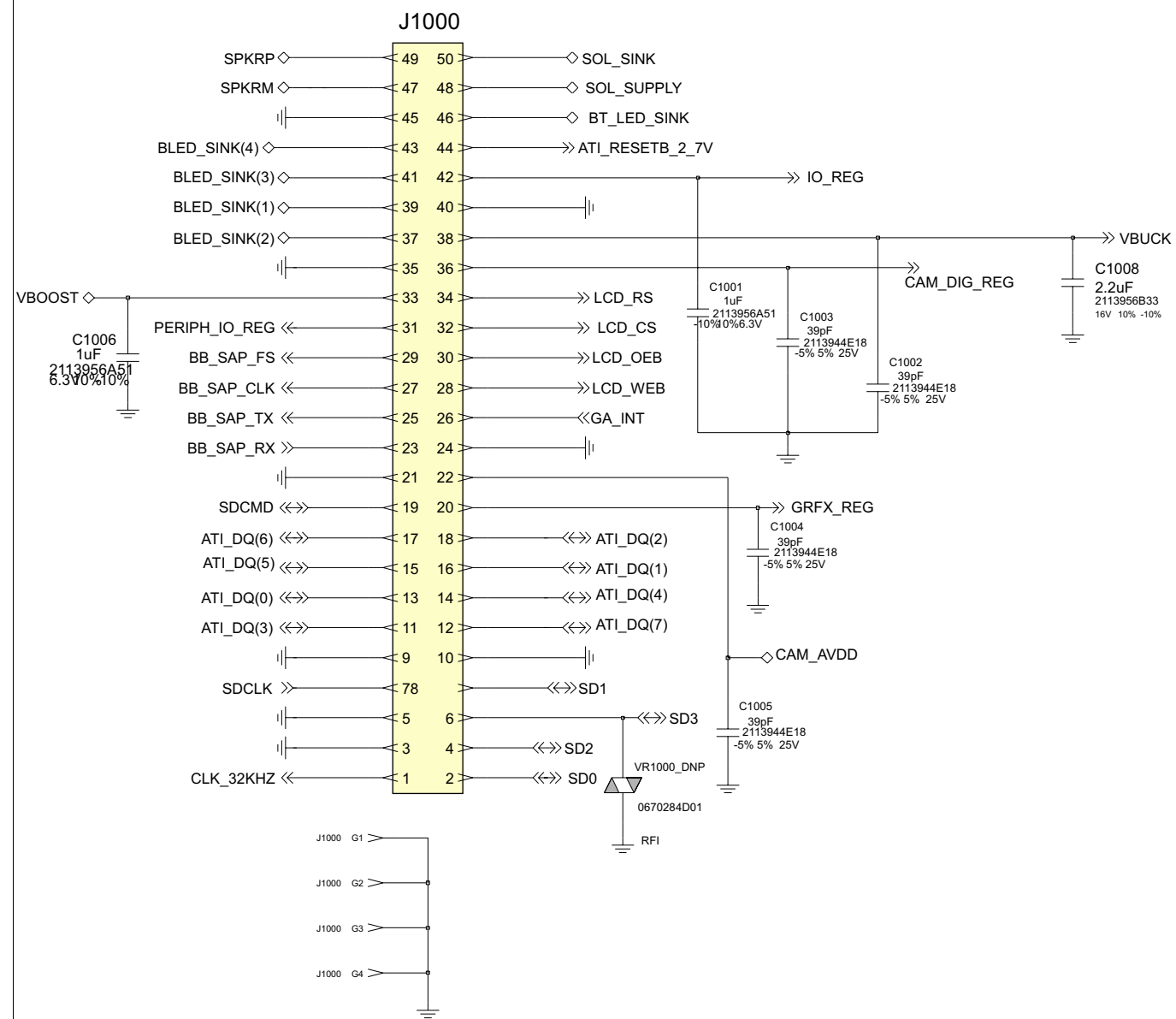


CAMERA INTERFACE

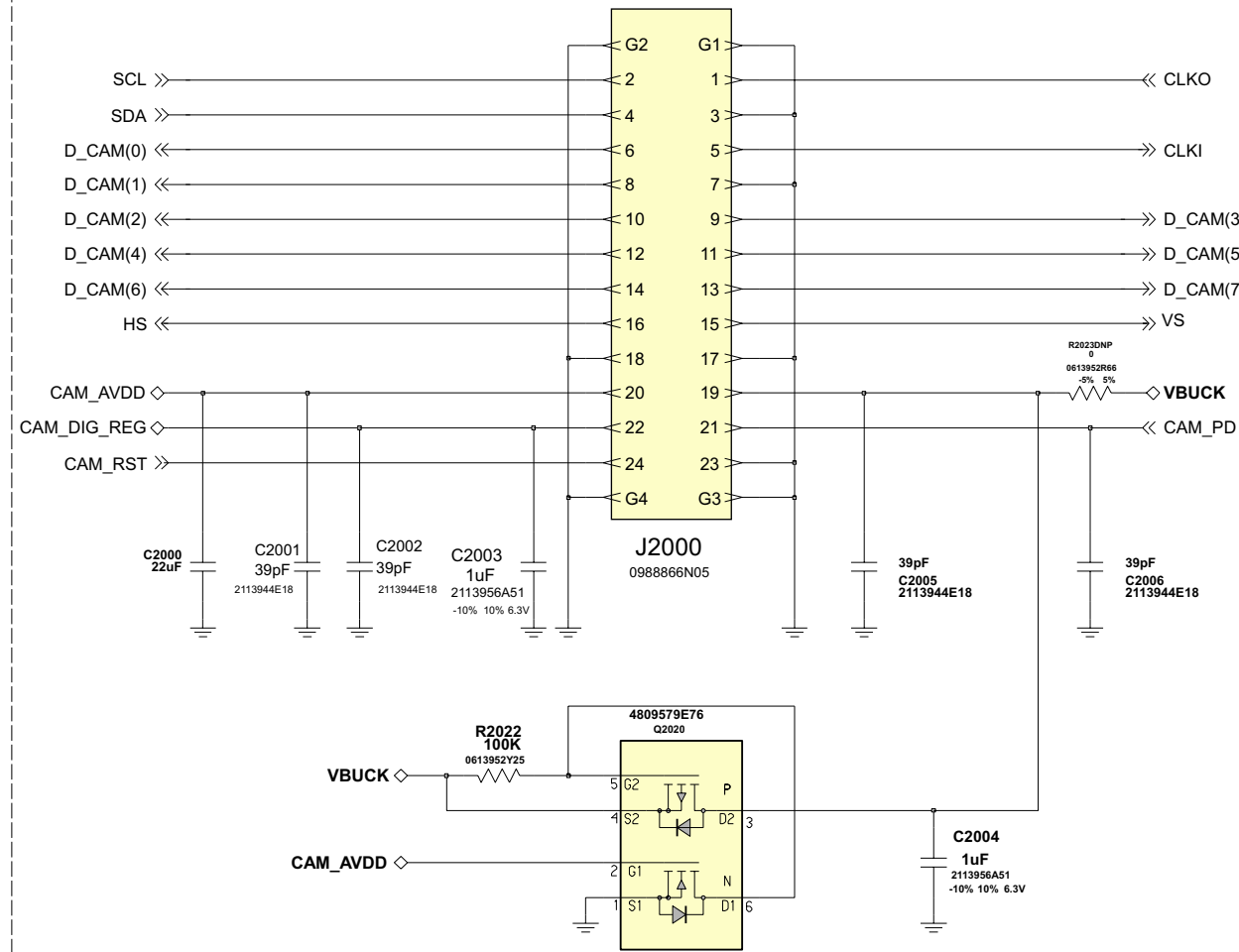


K1_8471501D01_A

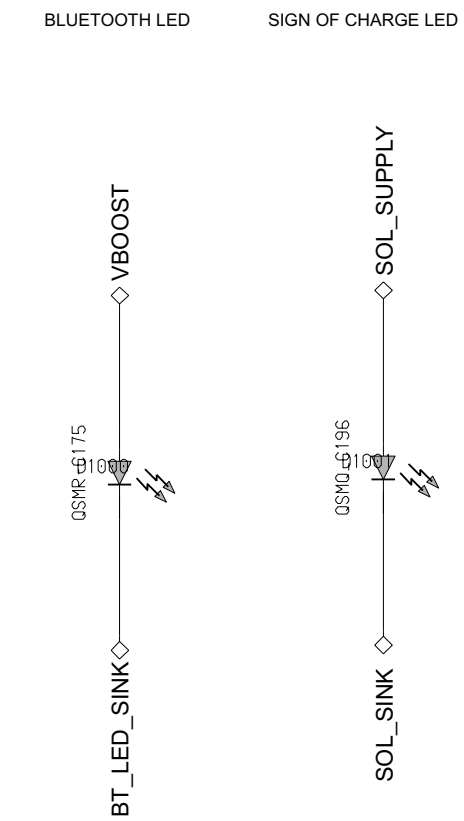
50 PIN DISPLAY TO TCVR CONNECTOR



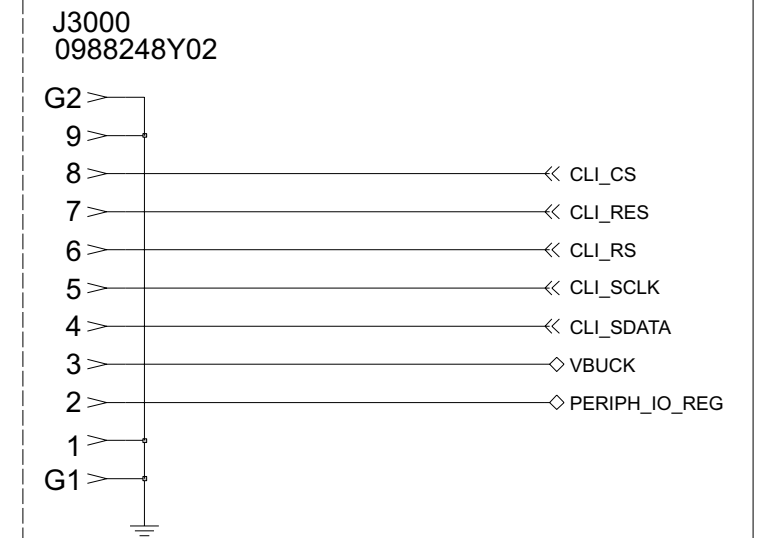
24-PIN TO CAMERA



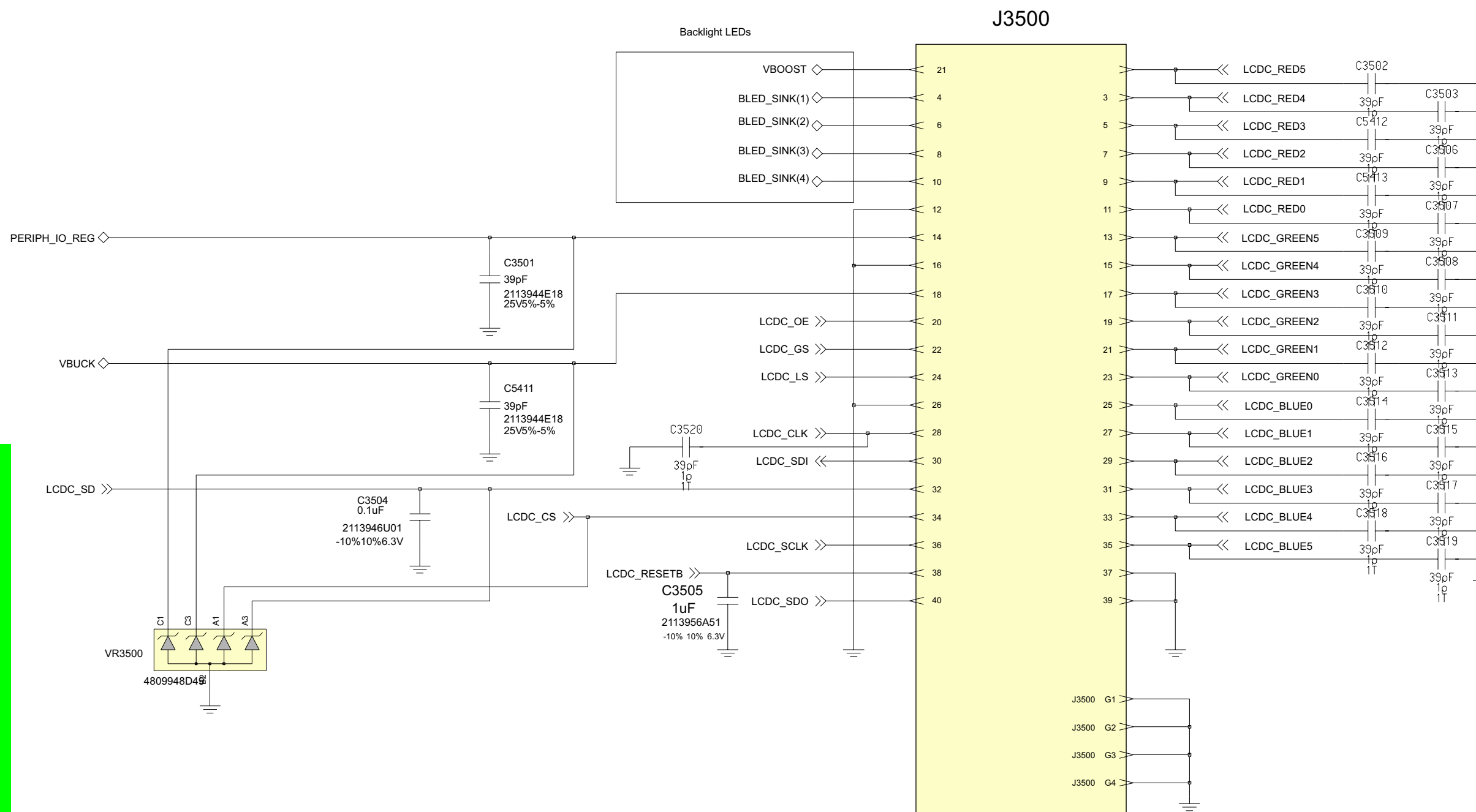
LEDS



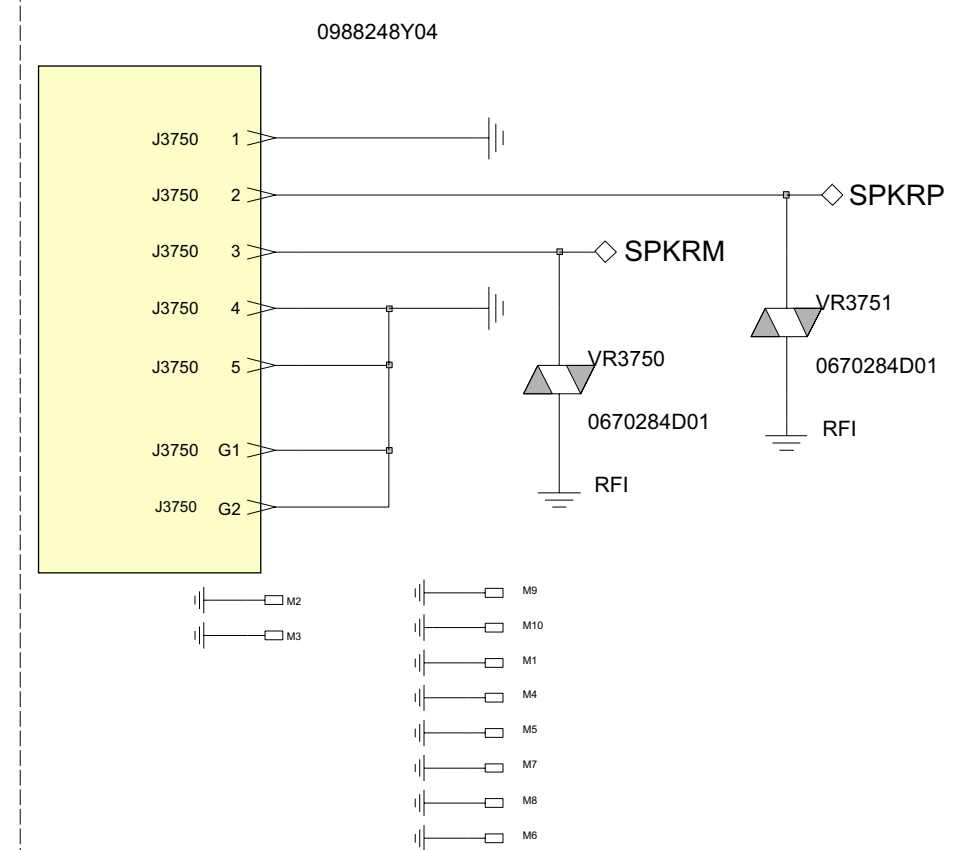
9-PIN CLI CONNECTOR



40-PIN MAIN DISPLAY



EAR SPEAKER



K1_8471501D01_A