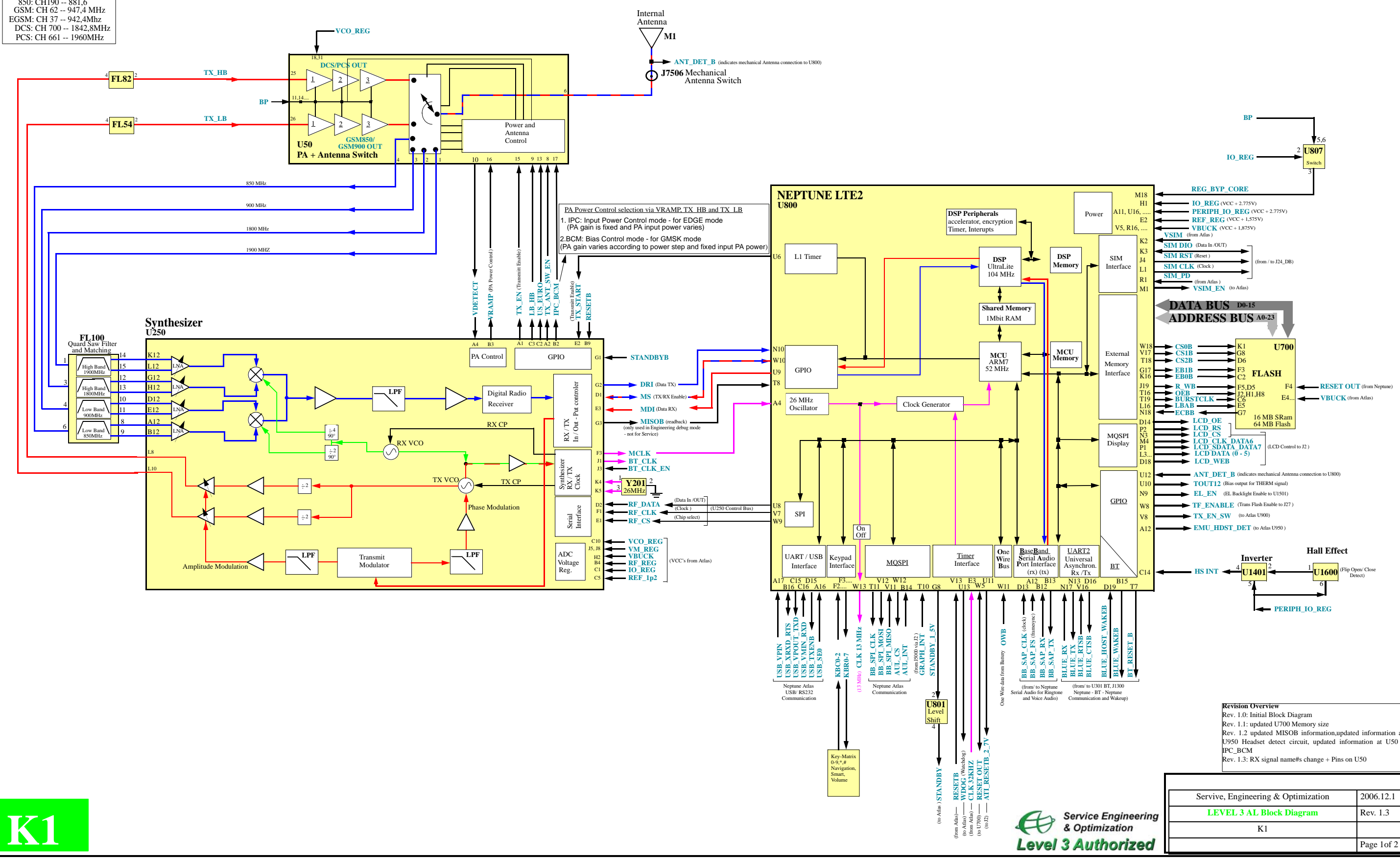
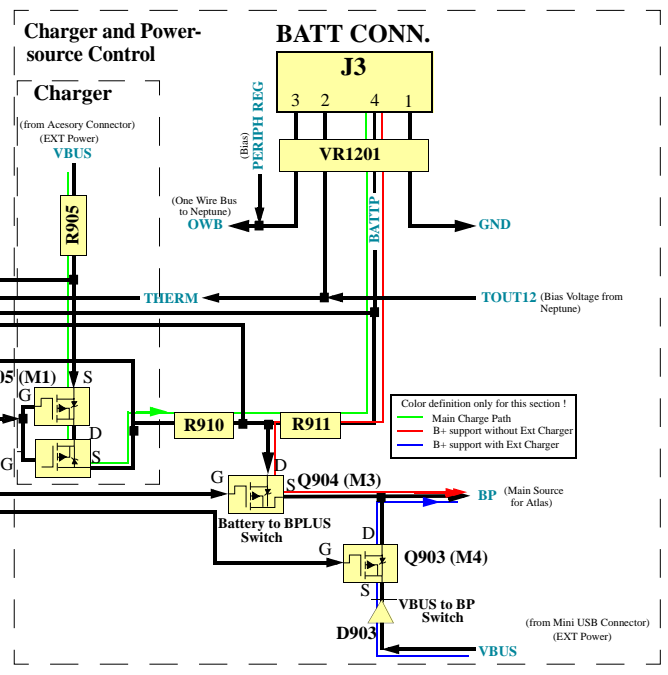
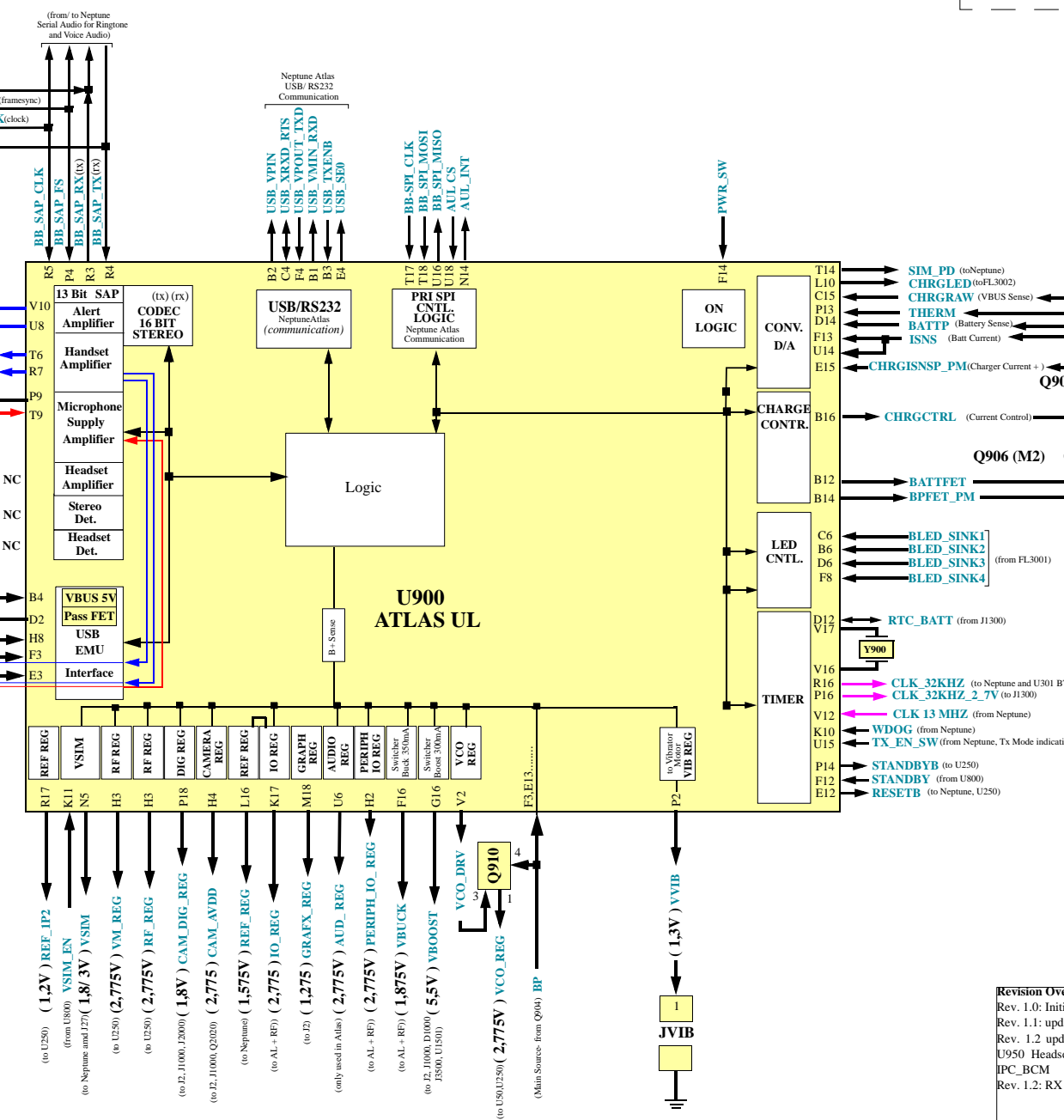
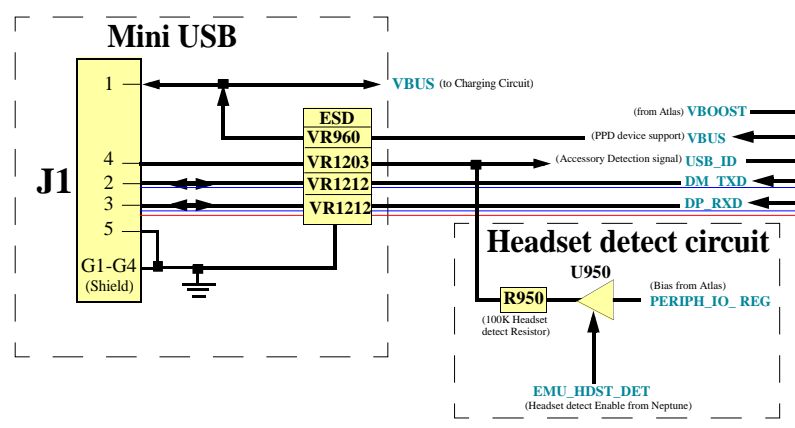
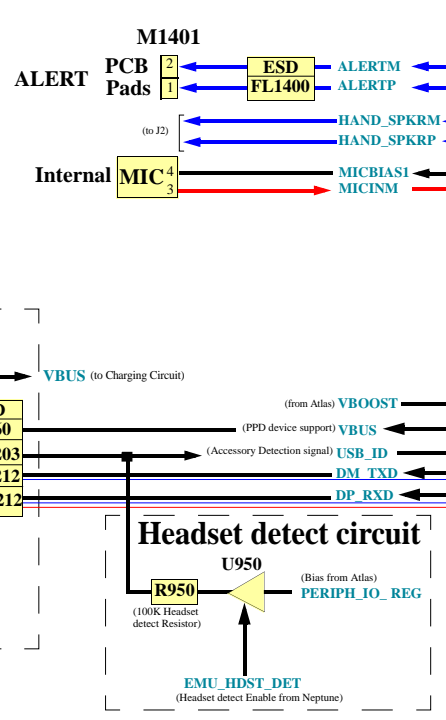
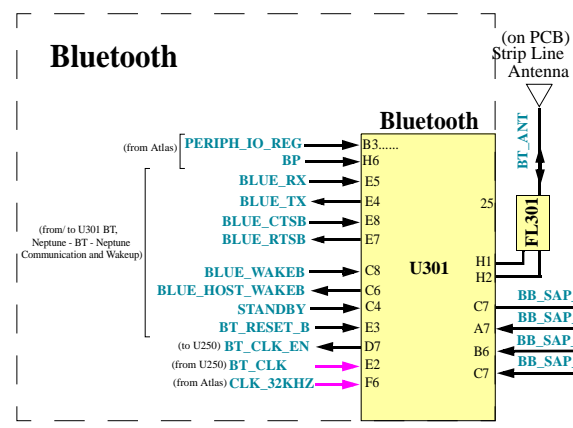
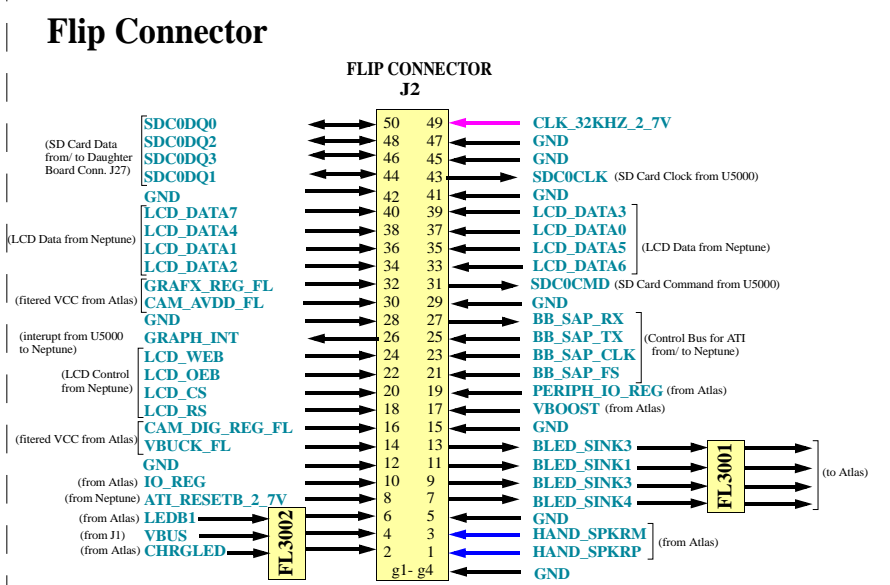
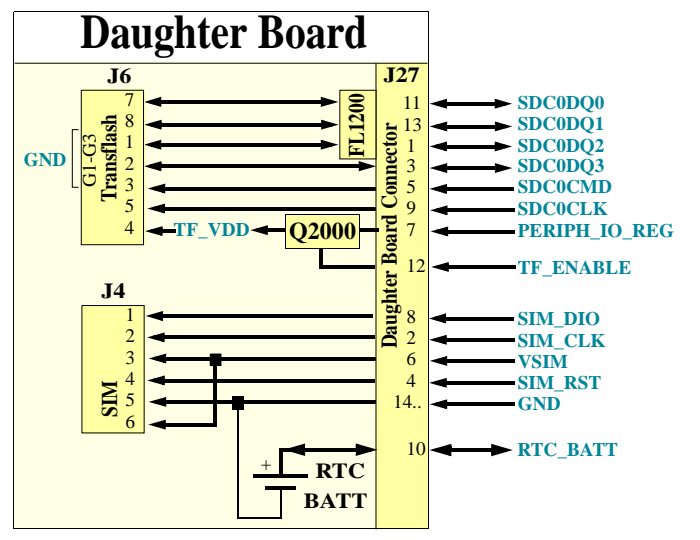
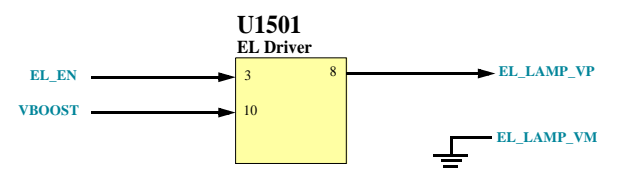


RX MID CHANNELS
 850: CH190 -- 881.6
 GSM: CH 62 -- 947.4MHz
 EGSM: CH 37 -- 942.4MHz
 DCS: CH 700 -- 1842.8MHz
 PCS: CH 661 -- 1960MHz



K1

Service Engineering & Optimization
Level 3 Authorized



K1

Revision Overview

- Rev. 1.0: Initial Block Diagram
- Rev. 1.1: updated U700 Memory size
- Rev. 1.2 updated MISOB information, updated information at U950 Headset detect circuit, updated information at U50 / IPC_BCM
- Rev. 1.2: RX signal name#s change + Pins on U50

Service, Engineering & Optimization		2006.12.1
LEVEL 3 AL Block Diagram		Rev. 1.3
K1		
		Page 2of 2

Service Engineering & Optimization
Level 3 Authorized