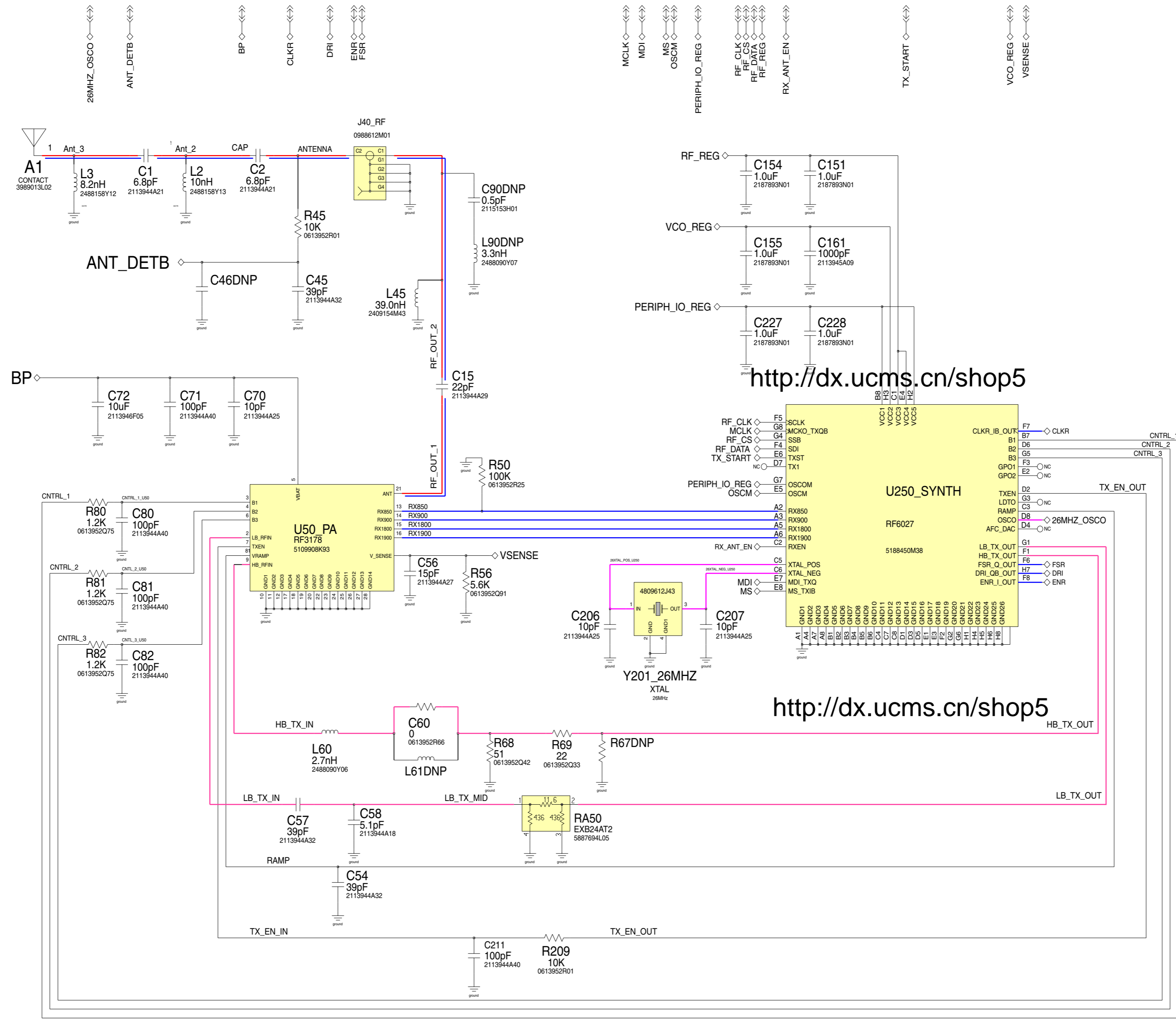


V3i 8489776Y02_A_3_P03

MOTOROLA
CONFIDENTIAL PROPRIETARY
Friday, 2 September 2005
V3i 2:38 PM
8489776Y02_A_3
power_management rev. 30



	2005.09.06
Level 3 Schematics	Rev. 1.0
V3i	8489776Y02_A_3
Alexander Buchler, Michael Hansen	Page 1 of 5



<http://dx.ucms.cn/shop5>

<http://dx.ucms.cn/shop5>

MOTOROLA
 CONFIDENTIAL PROPRIETARY
 Friday, 2 September 2005
 2:23 PM

V3i 8489776Y02_A_3
 rf_sheet rev. 22
 10

V3i 8489776Y02_A_3_P03

Print @ 11x17; B size; 1.00



	2005.09.06
Level 3 Schematics	Rev. 1.0
V3i	8489776Y02_A_3
Alexander Buehler, Michael Hansen	Page 2 of 5

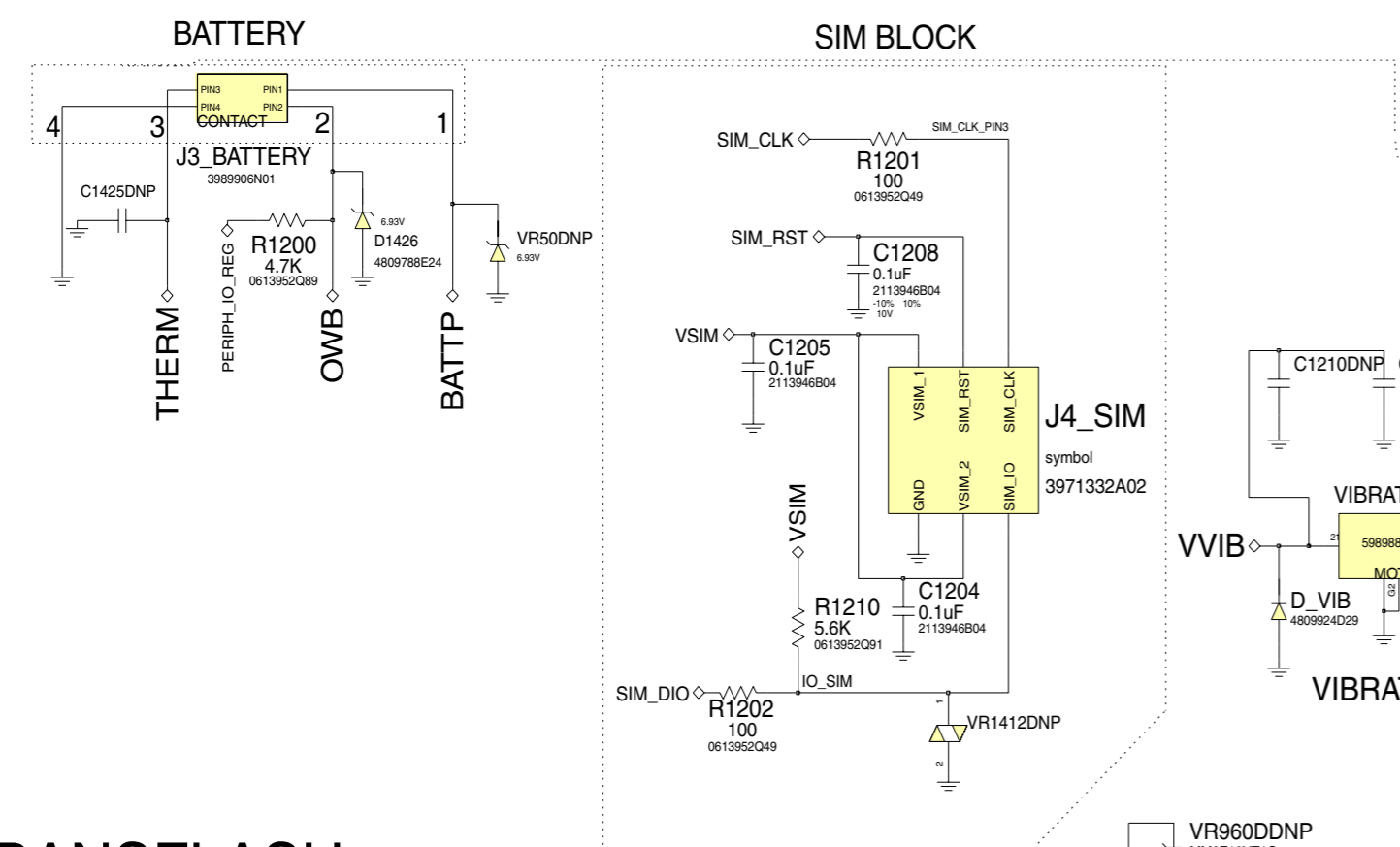
Friday, 2 September 2005

V3i

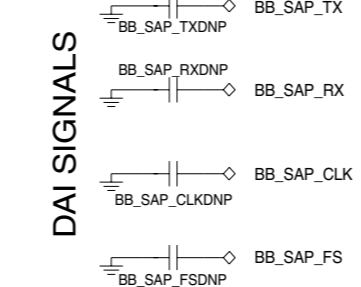
2:24 PM

8489776Y02_A_3

sheet1 rev. 57

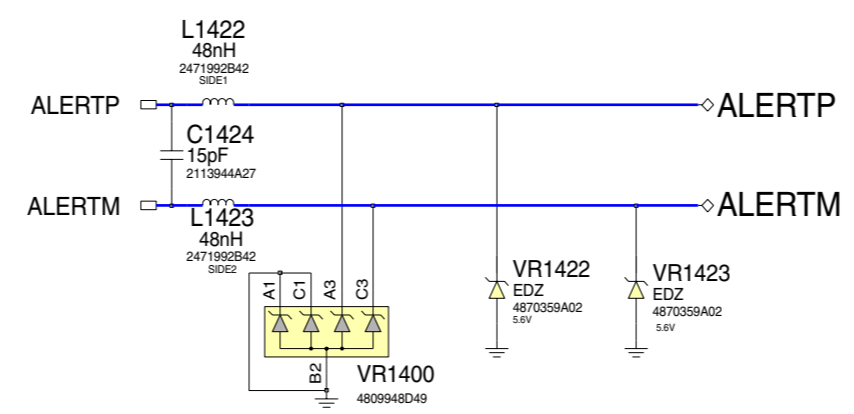
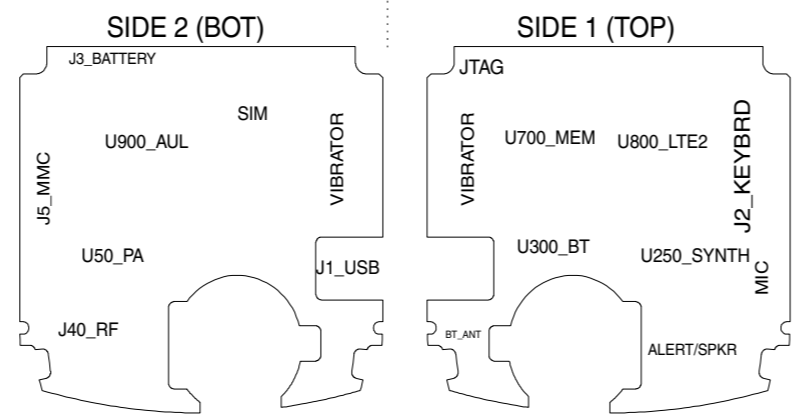
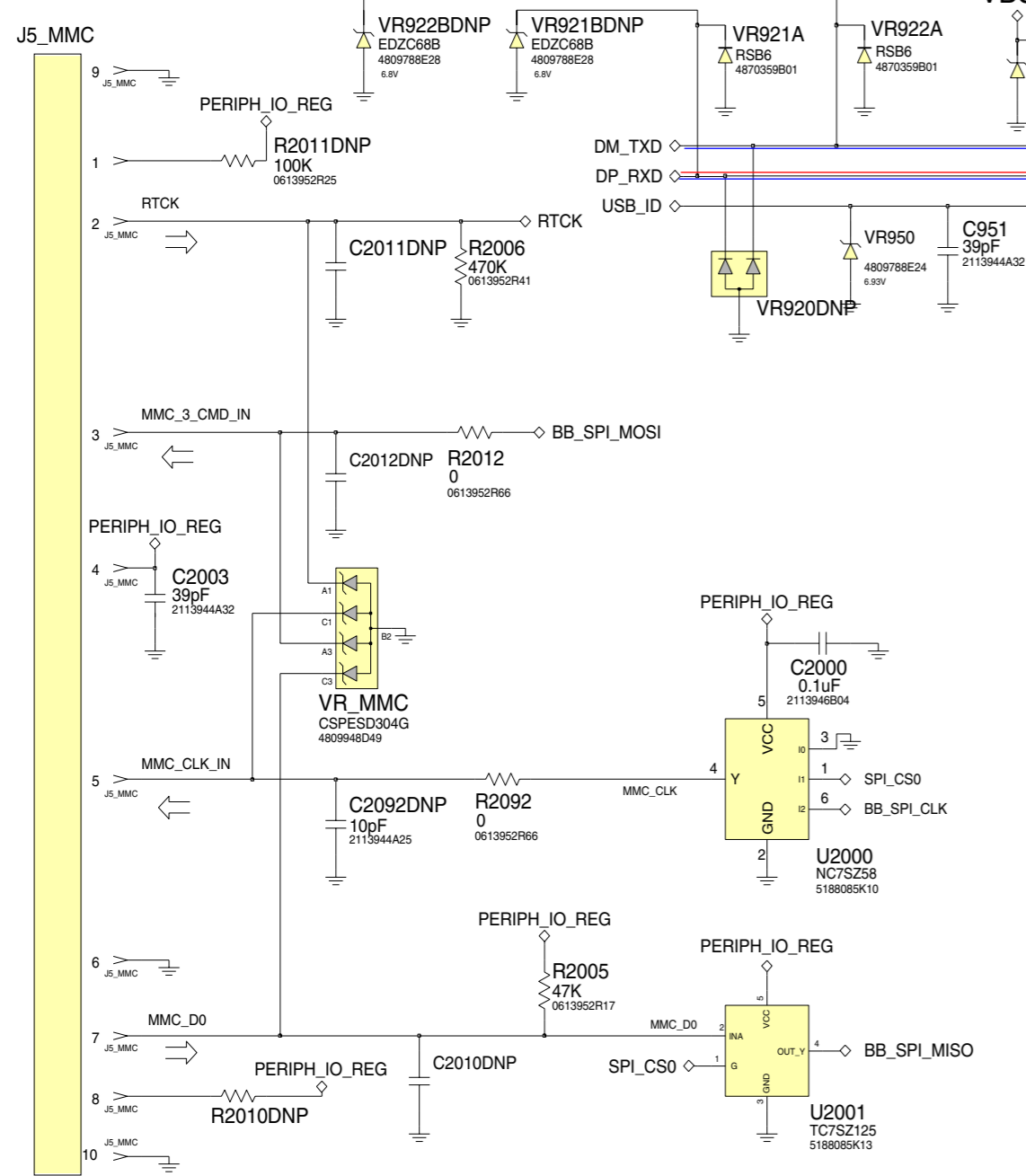


<http://dx.ucms.cn/shop5>

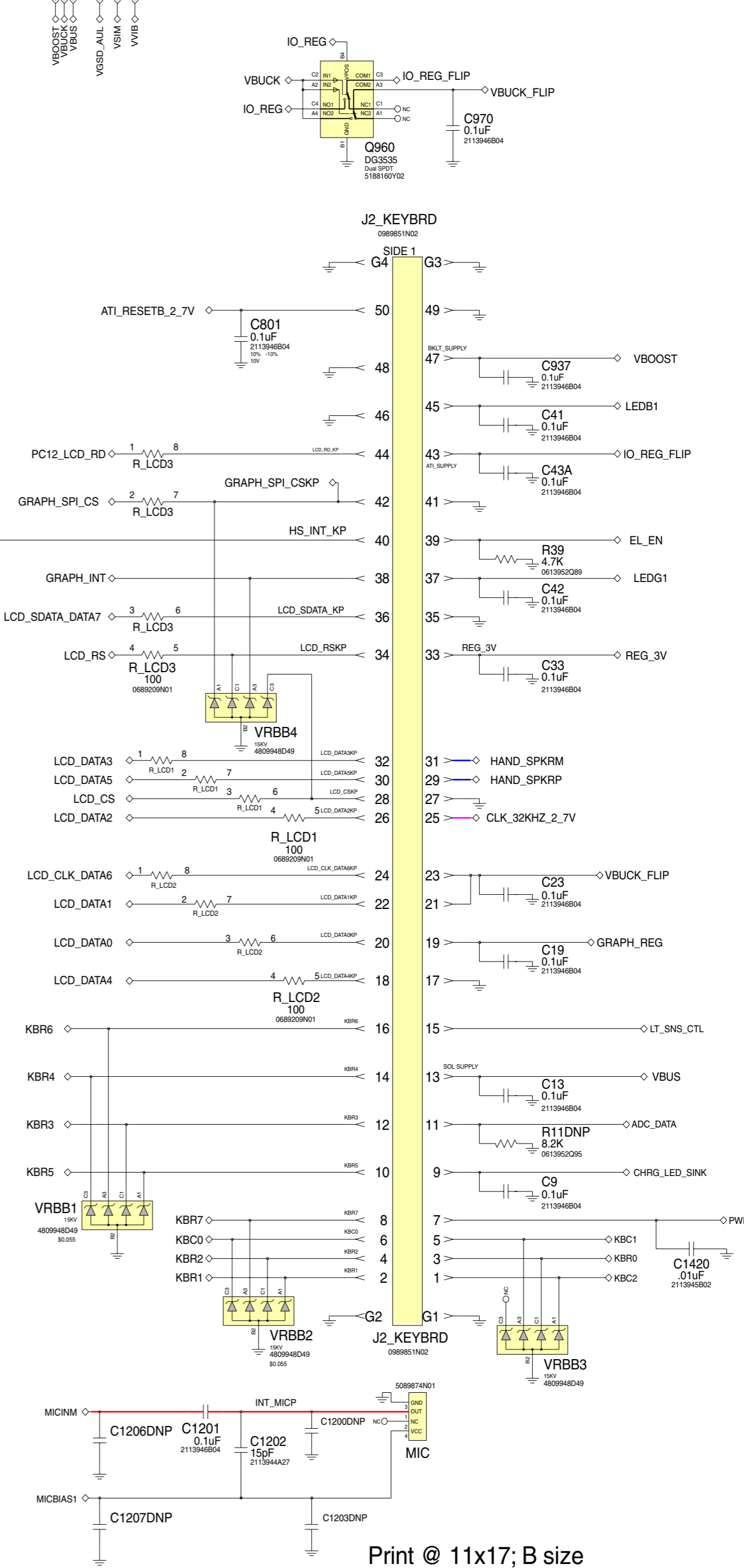


<http://dx.ucms.cn/shop5>

TRANSFLASH



KEYBOARD FLEX CONNECTION



Print @ 11x17; B size

V3i 8489776Y02_A_3_P03



Level 3 Schematics	2005.09.06
V3i	Rev. 1.0
Alexander Buehler, Michael Hansen	8489776Y02_A_3 Page 3 of 5

26MHZ_OSCO_F

BB_SAP_CLK
BB_SAP_FS
BB_SAP_RX
BB_SAP_TX

BLUE_HOST_WAKEB
BLUE_WAKEB

BTRF_REG

CLK_32KHZ

CTS2

PERIPH_IO_REG

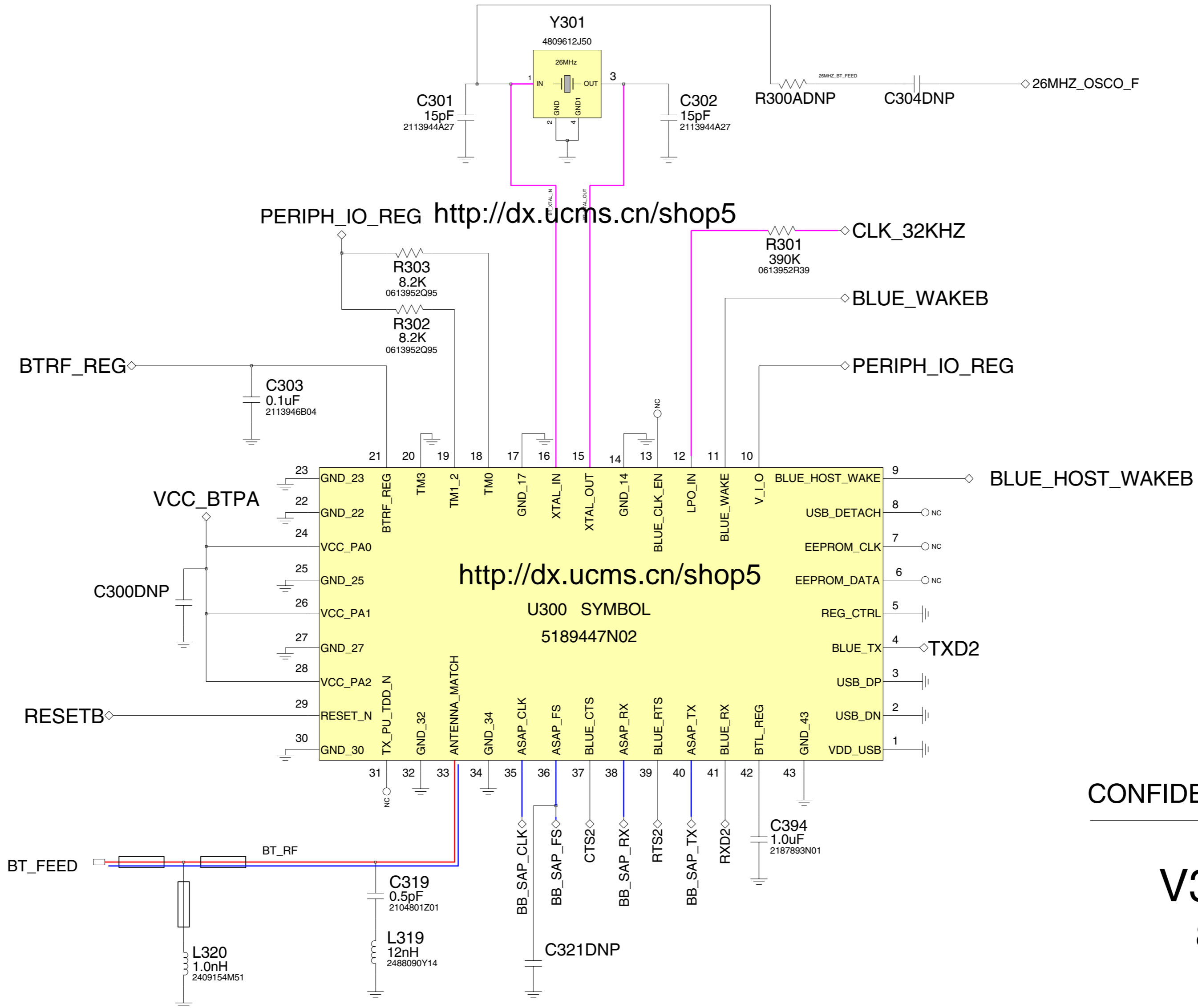
RESETB

RTS2

RXD2

TXD2

VCC_BTPA



MOTOROLA
CONFIDENTIAL PROPRIETARY

Friday, 2 September 2005

V3i

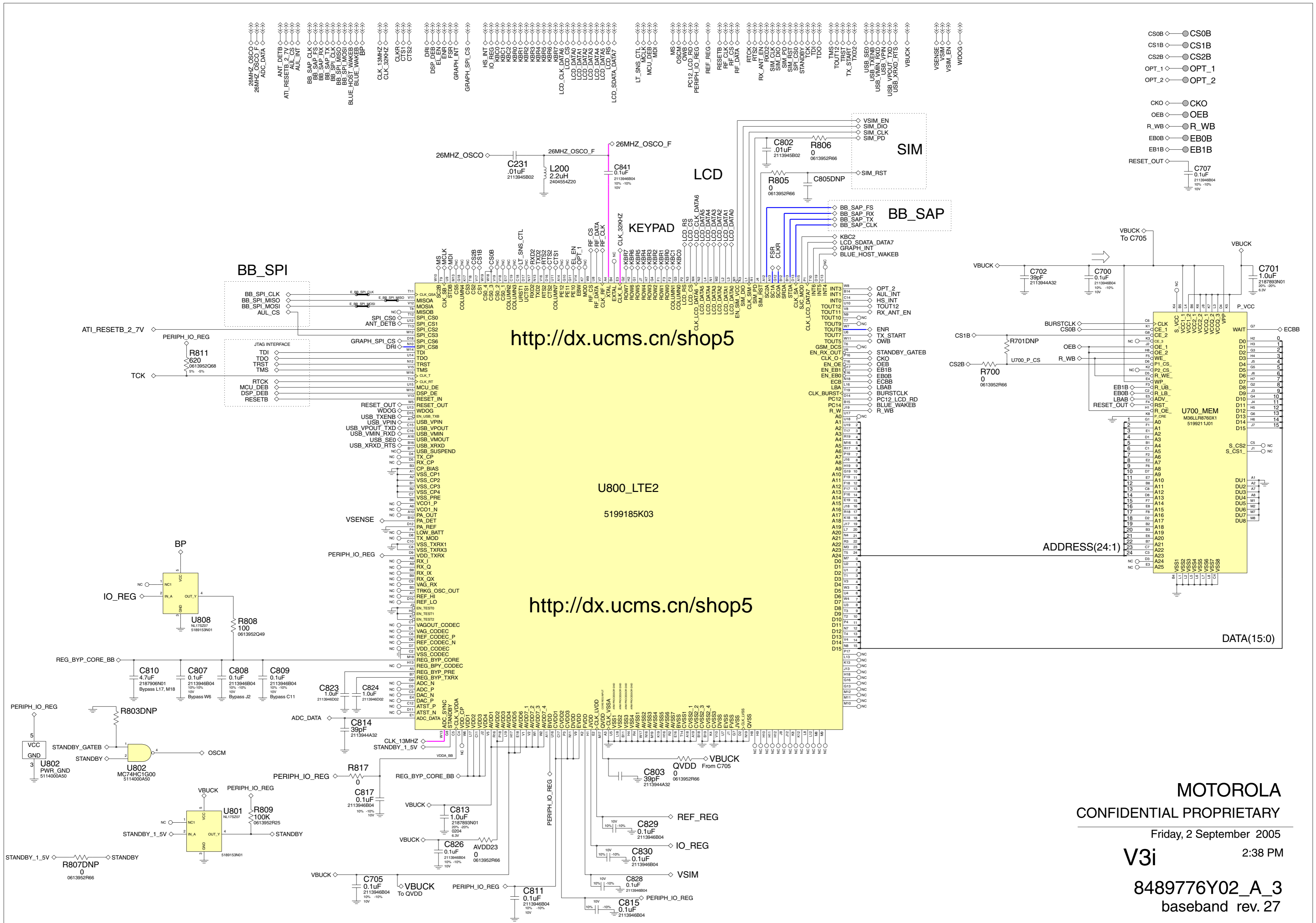
2:24 PM

8489776Y02_A_3
bluetooth rev. 12

V3i 8489776Y02_A_3_P03

Service Engineering
& Optimization
Level 3 Authorized

Level 3 Schematics	2005.09.06
V3i	Rev. 1.0
Alexander Buehler, Michael Hansen	8489776Y02_A_3 Page 4 of 5



<http://dx.ucms.cn/shop5>

U800_LTE2
5199185K03

<http://dx.ucms.cn/shop5>

MOTOROLA
CONFIDENTIAL PROPRIETARY
Friday, 2 September 2005
V3i 2:38 PM
8489776Y02_A_3
baseband rev. 27

V3i 8489776Y02_A_3_P03

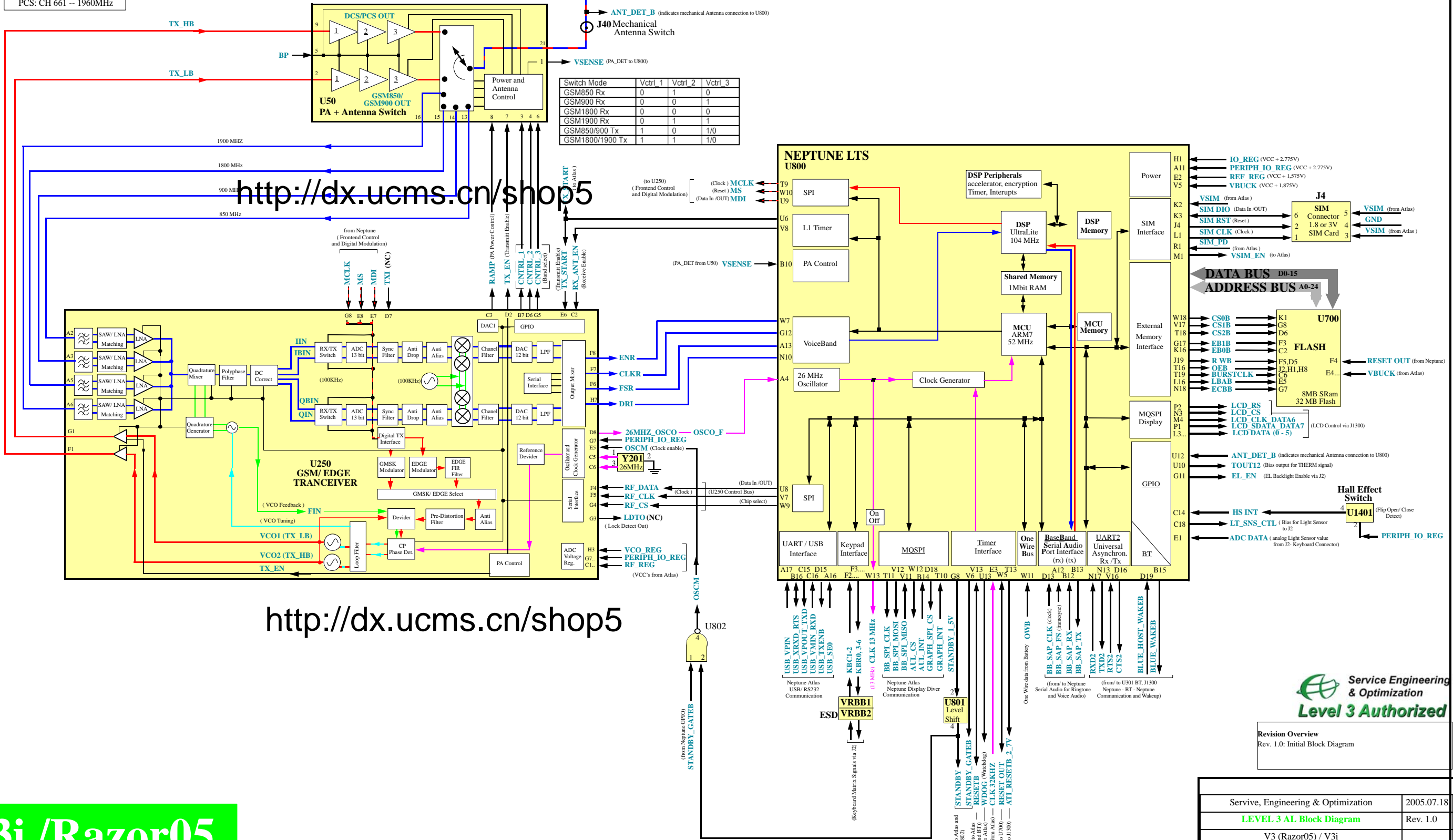
Service Engineering & Optimization
Level 3 Authorized

Level 3 Schematics	2005.09.06
V3i	Rev. 1.0
Alexander Buehler, Michael Hansen	8489776Y02_A_3
	Page 5 of 5

RX MID CHANNELS
 850: CH190 -- 881,6
 GSM: CH 62 -- 942,4MHz
 EGSM: CH 37 -- 942,4MHz
 DCS: CH 700 -- 1842,8MHz
 PCS: CH 661 -- 1960MHz

Internal Antenna A1
 J40 Mechanical Antenna Switch

Switch Mode	Vctrl_1	Vctrl_2	Vctrl_3
GSM850 Rx	0	1	0
GSM900 Rx	0	0	1
GSM1800 Rx	0	0	0
GSM1900 Rx	0	1	1
GSM850/900 Tx	1	0	1/0
GSM1800/1900 Tx	1	1	1/0



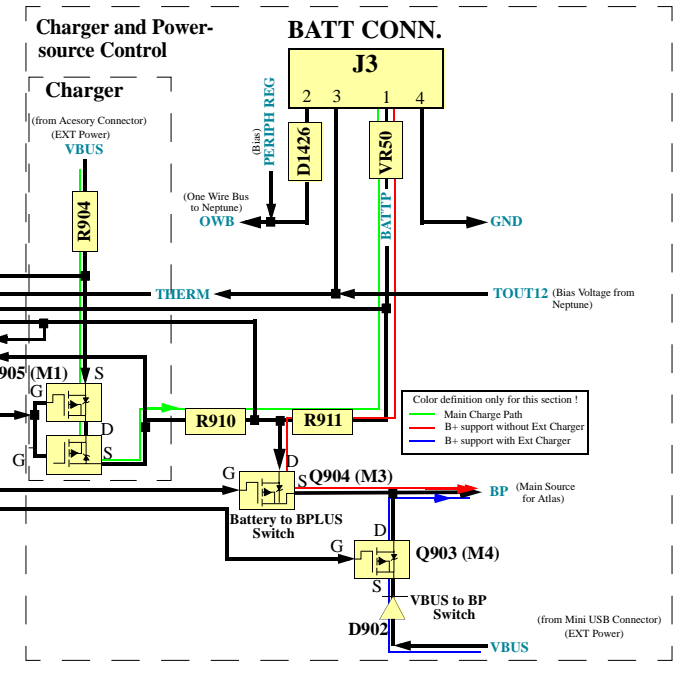
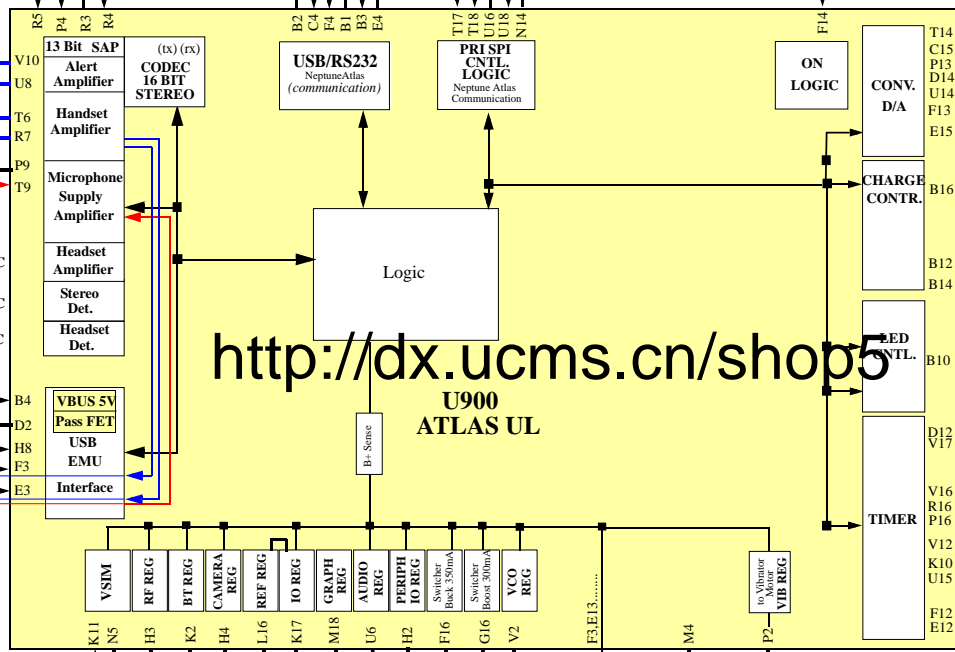
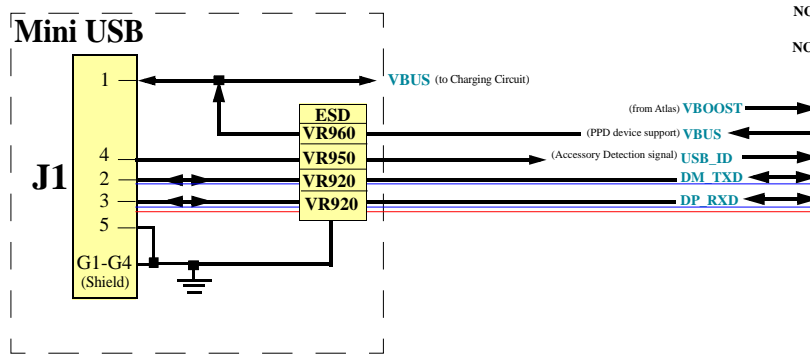
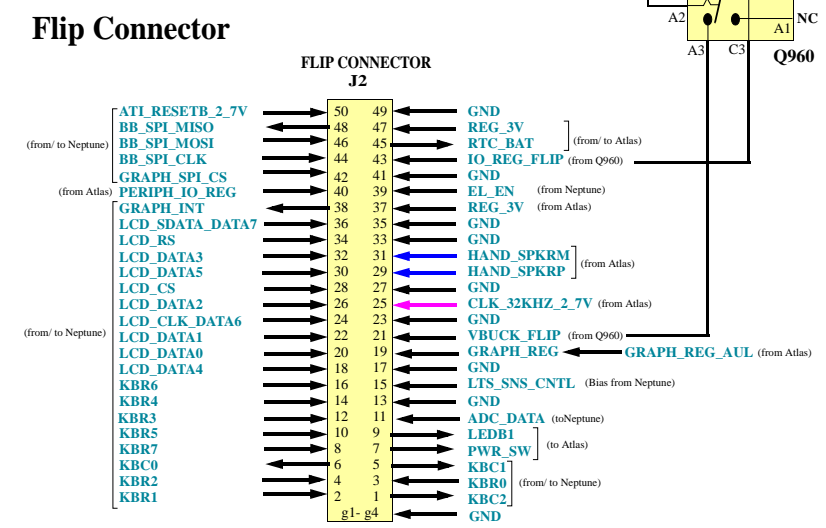
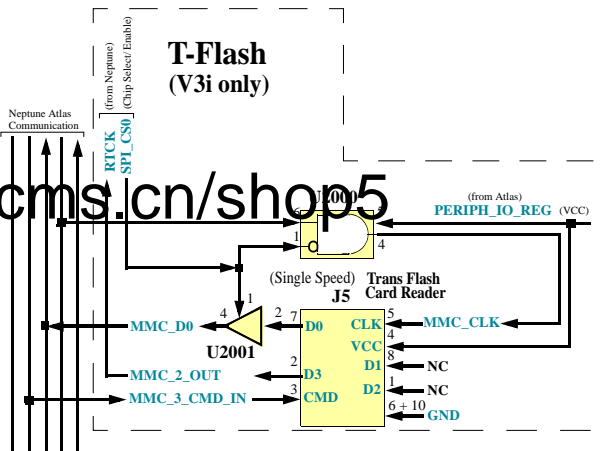
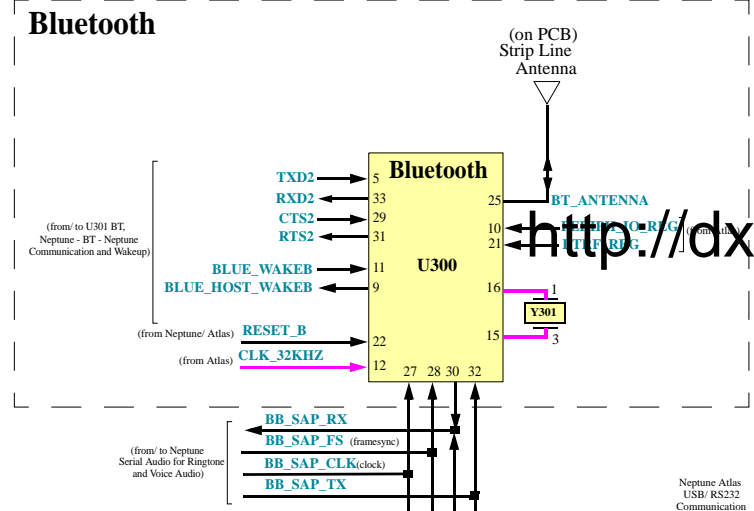
Service Engineering & Optimization
 Level 3 Authorized

Revision Overview
 Rev. 1.0: Initial Block Diagram

Service, Engineering & Optimization	2005.07.18
LEVEL 3 AL Block Diagram	Rev. 1.0
V3i (Razor05) / V3i	
Alexander Buehler, Michael Mauderer	Page 1 of 2

V3i /Razor05

V3i /Razor05



<http://dx.ucms.cn/shop5>

<http://dx.ucms.cn/shop5>

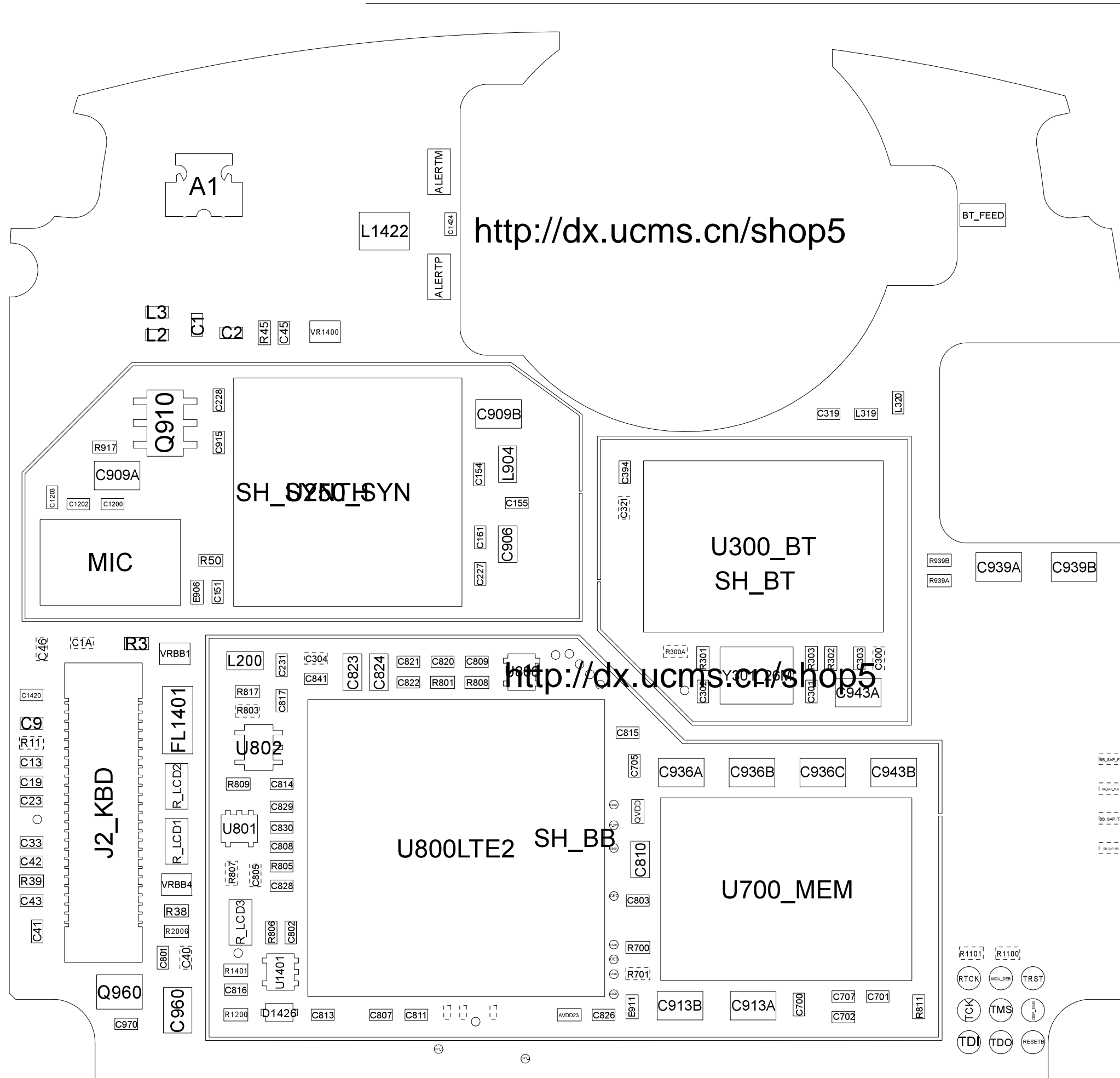
Service Engineering & Optimization
Level 3 Authorized

Revision Overview

Rev. 1.0: Initial Block Diagram

Servive, Engineering & Optimization	2005.07.18
LEVEL 3 AL Block Diagram	Rev. 1.0
V3 (Razor05) / V3i	
Alexander Buehler, Michael Mauderer	Page 2of 2

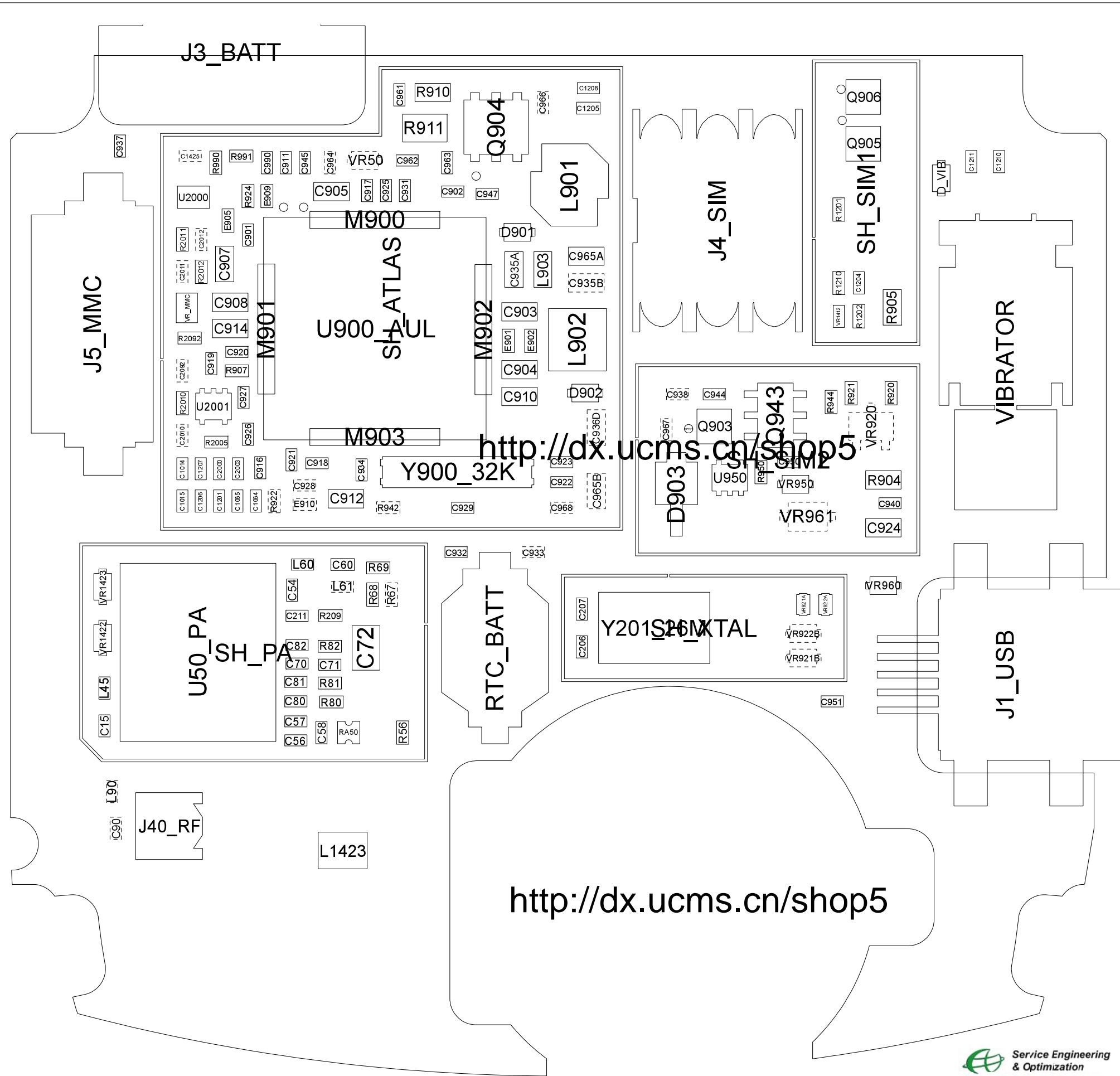
V3i_8489776Y02



Service Engineering & Optimization
Level 3 Authorized

Service Engineering & Optimization	2006.04.21
Level 3 Schematics	Rev. 1.0
V3i	8489776Y02
Service Training and Documentation	Page 1 of 2

V3i_8489776Y02



<http://dx.ucms.cn/shop5>

<http://dx.ucms.cn/shop5>

Service Engineering & Optimization
Level 3 Authorized

Service Engineering & Optimization	2006.04.21
Level 3 Schematics	Rev. 1.0
V3i	8489776Y02
Service Training and Documentation	Page 2 of 2